

Webequie Supply Road Project

Webequie First Nation

May 1, 2025

AtkinsRéalis Ref: 661910-4E-L01-PA or 00

APPENDIX K-2: WEBEQUIE SUPPLY ROAD CLEAN EQUIPMENT PROTOCOL

AtkinsRéalis



WSR
WEBEQUIE
SUPPLY ROAD



Appendix K-2

Clean Equipment Protocol

Clean Equipment Protocol for Industry – Summary

Invasive species are plants, animals and microorganisms that have been accidentally or deliberately introduced into areas beyond their normal range, that out compete native species. Invasive species are a major threat to Ontario's natural areas, and are very costly to deal with once established.

Invasive species can be spread to new areas by contaminated mud, gravel, soil and plant materials on vehicles and machinery.

The best practice is to prevent the spread of invasive species. By inspecting and cleaning equipment and following some simple guidelines, the risk of spreading invasive plants is greatly reduced.

- Identify invasive plants and plan activities accordingly (i.e. schedule work in areas without invasive plants first, leaving infested areas til the end, to reduce the risk of unintentionally moving plants into a new area).
- Record & report sightings of invasive plants
(Invading Species hotline at **1-800-563-7711** or online www.invadingspecies.com/report/ or www.eddmaps.org/Ontario)
- Inspect vehicles and machinery before and after entering sites or conducting work along roadways & waterways.

How to Inspect

Before leaving the site, inspect the vehicle thoroughly inside and out for where dirt, plant material and seeds may be lodged or stuck to interior and exterior surfaces. Remove and clean any guards, covers or plates that are easy to remove.

Pay attention to the underside of the vehicle, radiators, spare tires, foot wells and bumper bars. If clods of dirt, seed or other plant material are found, remove immediately and discard where the contamination occurred or in the garbage.

When Cleaning is required

- Safely locate the vehicle and equipment away from any hazards, ensure engine is off and the vehicle or equipment is immobilized.
- Clean the vehicle/equipment in an appropriate area where contamination and seed spread is not possible (or limited).

The site should be:

- » Mud free, gravel covered hard surface, or, if this is not available, a well maintained grassy area.
- » Gently sloping to assist in draining water and material away from the vehicle or equipment. Care should be taken to ensure that localized erosion will not be created.
- » At least 30m away from any watercourse, water body and natural vegetation.
- » Large enough to allow for adequate movement of larger vehicles and equipment.

Continued...

Equipment Required

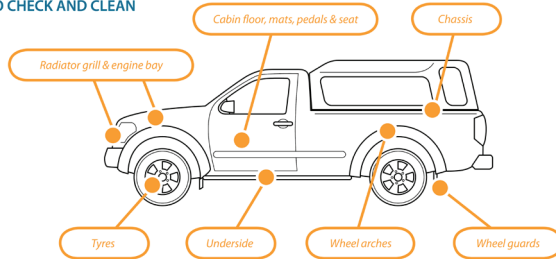
- A pump and high pressure hose OR High pressure water unit
- Air compressor and blower OR Vacuum
- Shovel
- Pry bar
- Stiff brush or broom

Final Inspection Checklist

- No clods of dirt should be visible after cleaning.
- Radiators, grills and the interiors of vehicles should be free of accumulations of seed, soil, mud and plant material parts including seeds, roots, flowers, fruit and or stems.

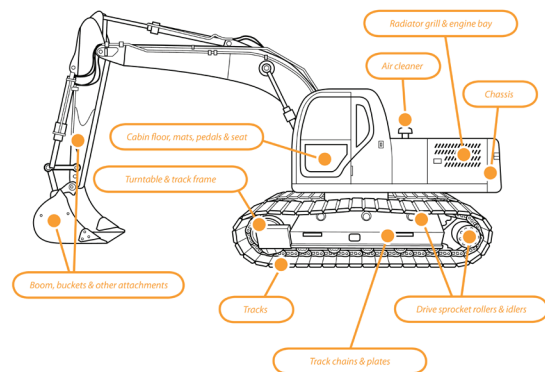
2WD and 4WD Vehicles

4WD VEHICLE WITH KEY SPOTS TO CHECK AND CLEAN



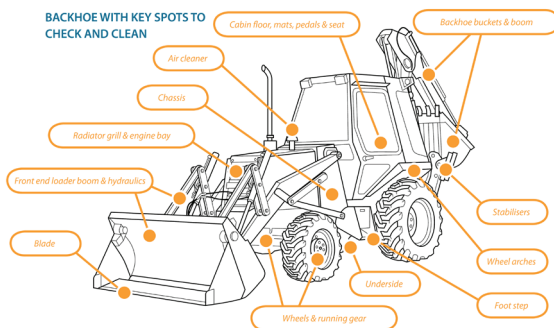
Excavator

EXCAVATOR WITH KEY SPOTS TO CHECK AND CLEAN



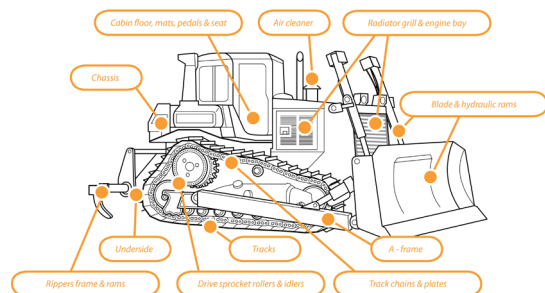
Backhoe

BACKHOE WITH KEY SPOTS TO CHECK AND CLEAN



Bulldozer

BULLDOZER WITH KEY SPOTS TO CHECK AND CLEAN



Catalyst for research and response

