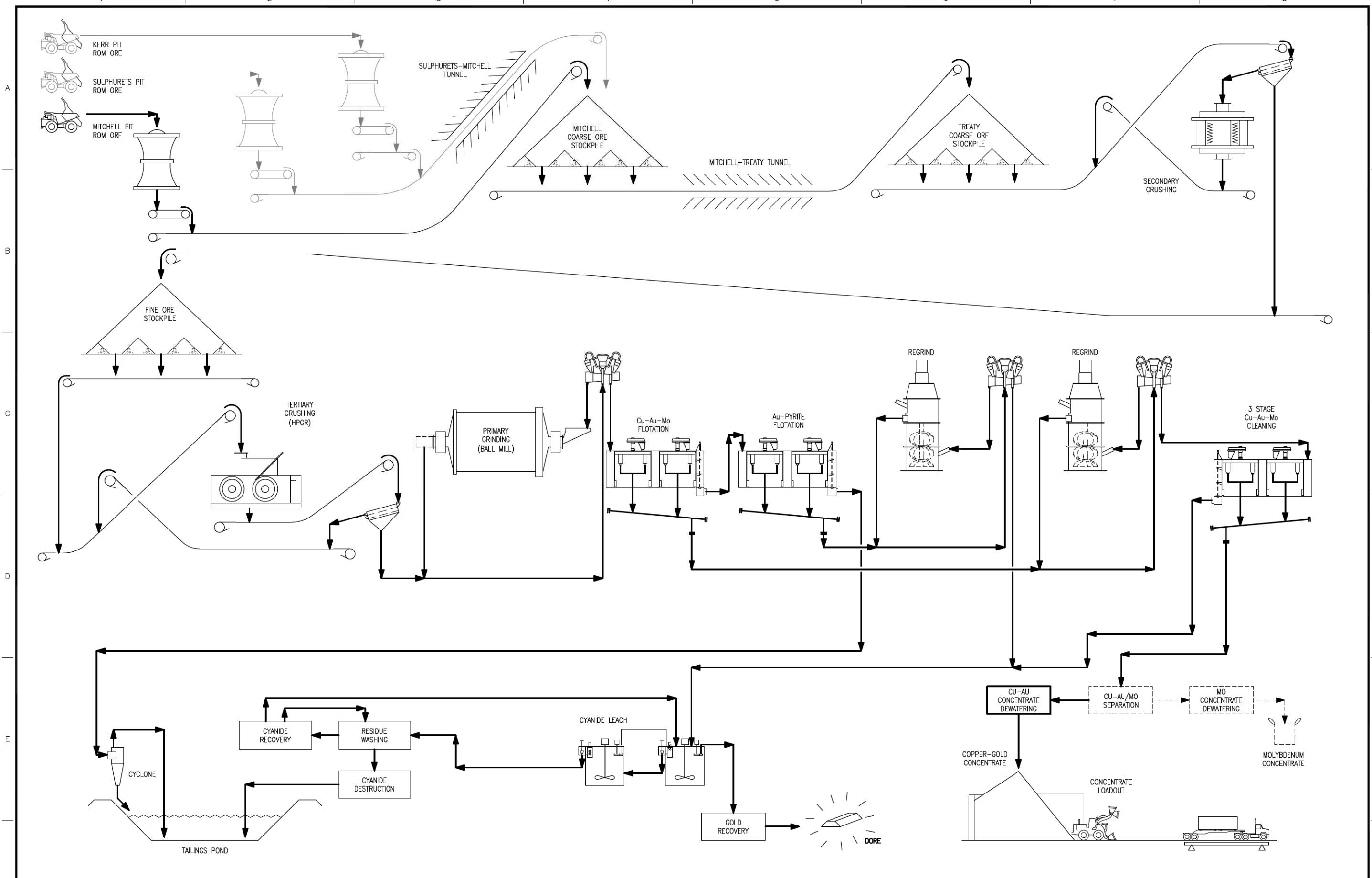
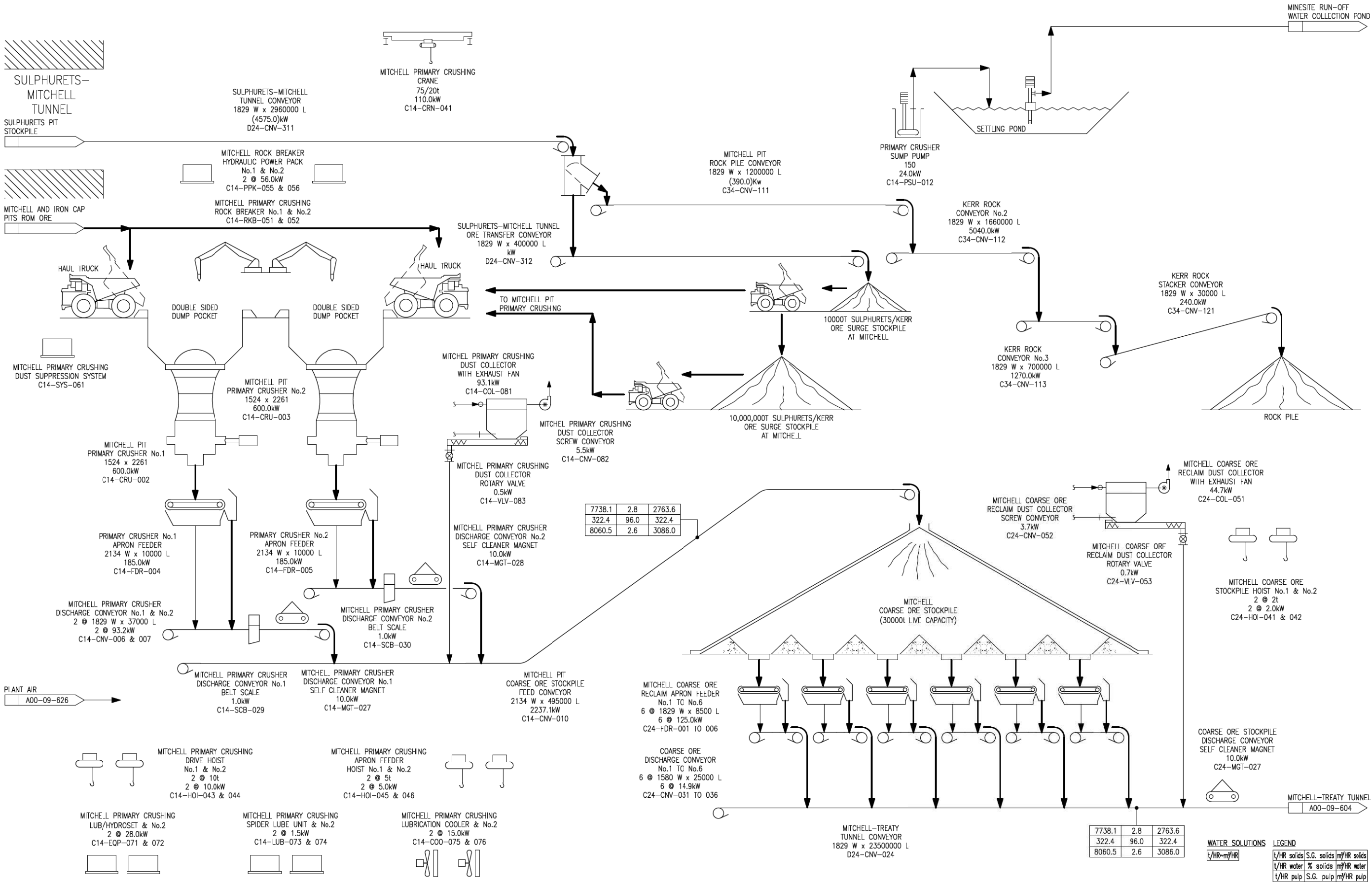


**APPENDIX 4-Z
KSM PROCESS FLOW DIAGRAMS AND
MASS BALANCE FIGURES**



THE INFORMATION CONTAINED ON THIS DRAWING HAS BEEN PREPARED SOLELY FOR THE OWNER FOR USE ON THIS PROJECT AND IS COPYRIGHTED. ANY UNAUTHORIZED USE OF THIS INFORMATION IS A BREACH OF COPYRIGHT AND WILL BE PURSUED AS SUCH. USE OF THE INFORMATION ON THIS DRAWING IN WHOLE OR IN PART OTHER THAN FOR THE INTENDED PURPOSE IS AT THE SOLE RISK OF THE USER.	DWG. NO.	REFERENCE DRAWINGS	<table border="1"> <tr> <th>CLIENT</th> <th>PROGRAM</th> <th>PROCESS</th> <th>ELECTR.</th> <th>INSTR.</th> <th>PIPING</th> <th>MECH.</th> <th>STRUCT.</th> <th>SERVICES</th> <th>ARCH.</th> <th>LAYOUT</th> <th>REV.</th> <th>ISSUE</th> <th>DATE</th> <th>BY</th> <th>DESCRIPTION</th> </tr> <tr> <td></td> <td></td> <td></td> <td></td> <td></td> <td></td> <td></td> <td></td> <td></td> <td></td> <td></td> <td>A</td> <td>1</td> <td>12JUL12</td> <td>AO</td> <td>ISSUED FOR REPORT</td> </tr> </table>										CLIENT	PROGRAM	PROCESS	ELECTR.	INSTR.	PIPING	MECH.	STRUCT.	SERVICES	ARCH.	LAYOUT	REV.	ISSUE	DATE	BY	DESCRIPTION												A	1	12JUL12	AO	ISSUED FOR REPORT	SECTION: PROCESS	CLIENT: SEABRIDGE GOLD	TITLE: KERR-SULPHURETS-MITCHELL PROJECT (PFS UPDATE - 2012)
	CLIENT	PROGRAM	PROCESS	ELECTR.	INSTR.	PIPING	MECH.	STRUCT.	SERVICES	ARCH.	LAYOUT	REV.	ISSUE	DATE	BY	DESCRIPTION																															
												A	1	12JUL12	AO	ISSUED FOR REPORT																															
																	SCALE: NONE	DATE: 15MAR12	DESIGN BY: JH	BRITISH COLUMBIA, CANADA	OVERALL SIMPLIFIED PROCESS FLOW DIAGRAM																										
																DRAWN BY: AC	15MAR12	CHECK BY:	TETRA TECH WARDROP	FILENAME: A0009640.DWG	PROJECT NUMBER: 12528801.00	DRAWING NUMBER: A00-09-640	REV: A																								



WATER SOLUTIONS		LEGEND	
t/HR	solids	S.G.	solids
t/HR	water	%	solids
t/HR	pulp	S.G.	pulp

THE INFORMATION CONTAINED ON THIS DRAWING HAS BEEN PREPARED SOLELY FOR THE OWNER FOR USE ON THIS PROJECT AND IS COPYRIGHTED. ANY UNAUTHORIZED USE OF THIS INFORMATION IS A BREACH OF COPYRIGHT AND WILL BE PURSUED AS SUCH. USE OF THE INFORMATION ON THIS DRAWING IN WHOLE OR IN PART OTHER THAN FOR THE INTENDED PURPOSE IS AT THE SOLE RISK OF THE USER.

DWG. NO.	REFERENCE DRAWINGS

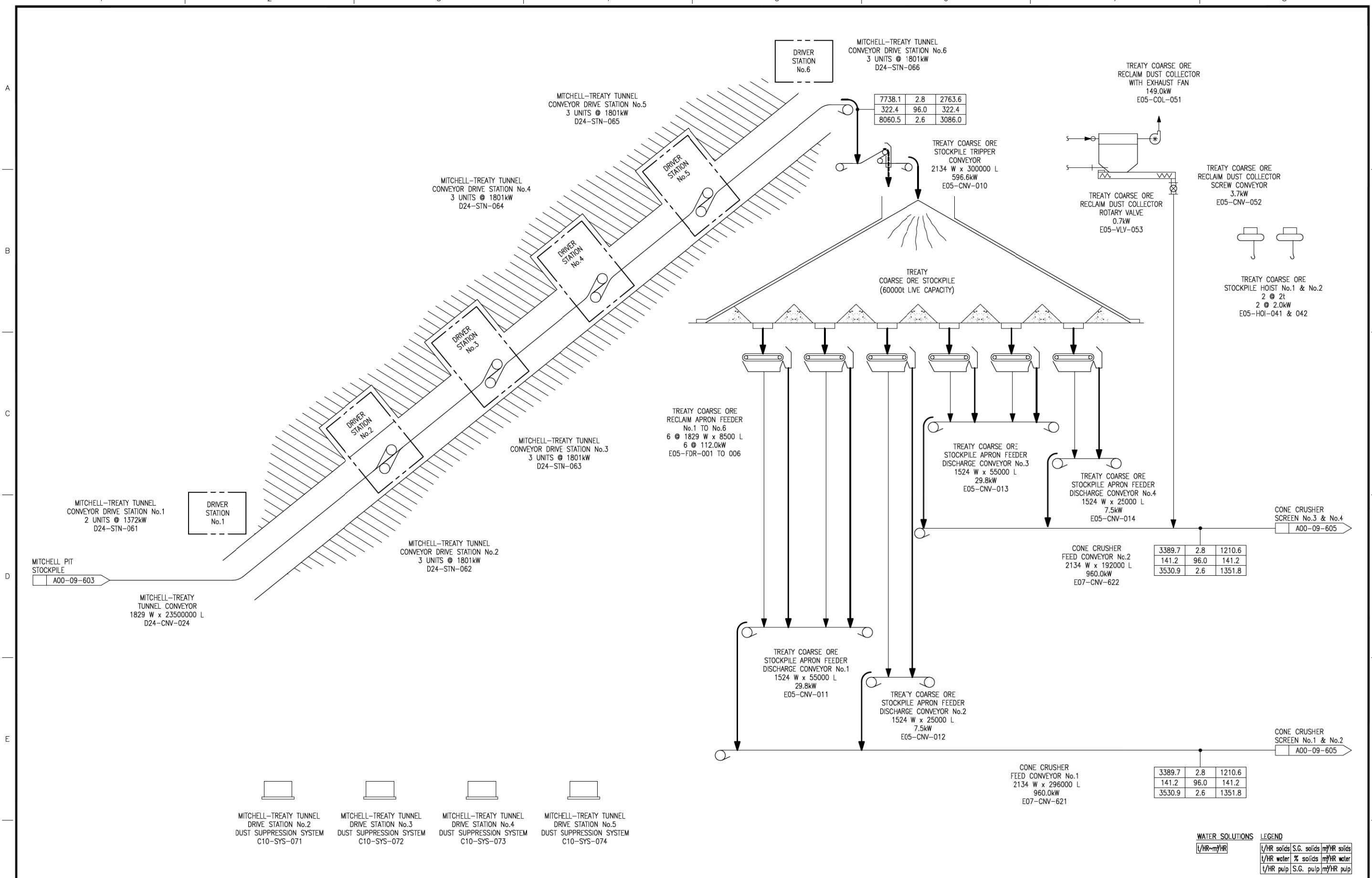
CLIENT	PROJ. NO.	PROJ. NAME	PROCESS	DATE	ISSUE	DESCRIPTION
SEABRIDGE GOLD	12528801.00	KSM PROJECT PFS UPDATE 2012	MITCHELL PIT PRIMARY CRUSHING	12/JUL/12	AO	ISSUED FOR REPORT

SECTION: PROCESS
 SCALE: NONE
 DESIGN BY: JH 15/MAR/12
 DRAWN BY: AO 15/MAR/12
 CHECK BY:
 APP. BY:

CLIENT: SEABRIDGE GOLD
 BRITISH COLUMBIA, CANADA

TETRA TECH WARDROP

KERR-SULPHURETS-MITCHELL PROJECT (PFS UPDATE - 2012)			
PROCESS FLOW DIAGRAM No.03 MITCHELL PIT PRIMARY CRUSHING AND COARSE ORE STOCKPILE			
FILENAME	PROJECT NUMBER	DRAWING NUMBER	REV.
A0009603.DWG	12528801.00	A00-09-603	A



WATER SOLUTIONS LEGEND

t/HR-m ³ /HR	t/HR solids	S.G. solids	m ³ /HR solids
t/HR water	% solids	m ³ /HR water	
t/HR pulp	S.G. pulp	m ³ /HR pulp	

THE INFORMATION CONTAINED ON THIS DRAWING HAS BEEN PREPARED SOLELY FOR THE OWNER FOR USE ON THIS PROJECT AND IS COPYRIGHTED. ANY UNAUTHORIZED USE OF THIS INFORMATION IS A BREACH OF COPYRIGHT AND WILL BE PURSUED AS SUCH. USE OF THE INFORMATION ON THIS DRAWING IN WHOLE OR IN PART OTHER THAN FOR THE INTENDED PURPOSE IS AT THE SOLE RISK OF THE USER.	DWG. NO.	REFERENCE DRAWINGS	<table border="1"> <tr><td>CLIENT</td><td>PROGRAM</td><td>PROCESS</td><td>ELECTR.</td><td>INSTR.</td><td>MECH.</td><td>STRUCT.</td><td>SERVICES</td><td>ARCH.</td><td>LAYOUT</td><td>REV.</td><td>ISSUE</td></tr> <tr><td></td><td></td><td></td><td></td><td></td><td></td><td></td><td></td><td></td><td></td><td>A</td><td>1</td></tr> <tr><td></td><td></td><td></td><td></td><td></td><td></td><td></td><td></td><td></td><td></td><td>No.</td><td>No.</td></tr> <tr><td></td><td></td><td></td><td></td><td></td><td></td><td></td><td></td><td></td><td></td><td></td><td></td></tr> </table>										CLIENT	PROGRAM	PROCESS	ELECTR.	INSTR.	MECH.	STRUCT.	SERVICES	ARCH.	LAYOUT	REV.	ISSUE											A	1											No.	No.													SECTION: PROCESS	CLIENT: SEABRIDGE GOLD	TITLE: KERR-SULPHURETS-MITCHELL PROJECT (PFS UPDATE - 2012)
	CLIENT	PROGRAM	PROCESS	ELECTR.	INSTR.	MECH.	STRUCT.	SERVICES	ARCH.	LAYOUT	REV.	ISSUE																																																			
											A	1																																																			
											No.	No.																																																			
			12JUL12	AO	SCALE: NONE	DATE	DESIGN BY: JH	15MAR12	BRITISH COLUMBIA, CANADA	PROCESS FLOW DIAGRAM No.04																																																					
					DRAWN BY: AO	15MAR12	CHECK BY:		TETRA TECH WARDROP	MITCHELL TREATY TUNNEL CONVEYOR AND TREATY COARSE ORE STOCKPILE																																																					
					APP. BY:					FILENAME: A0009604.DWG																																																					
										PROJECT NUMBER: 12528801.00																																																					
										DRAWING NUMBER: A00-09-604																																																					
										REV. A																																																					

SCREEN OVERSIZE
CONVEYOR No.3
A00-09-608

CONE CRUSHING
SCREEN UNDERSIZE
A00-09-605

CONE CRUSHING SCREEN
UNDERSIZE CONVEYOR
2134 W x 80000 L
75.0kW
E07-CNV-617

FINE ORE STOCKPILE
FEED CONVEYOR
2134 W x 369000 L
1675.0kW
E07-CNV-636

HPGR SCREEN OVERSIZE
CONVEYOR No.3
1372 W x 163000 L
235.0kW
E15-CNV-617

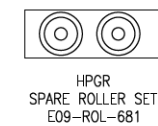
2305.0	2.8	823.2
256.1	90.0	256.1
2561.1	2.4	1079.3

FINE ORE STOCKPILE
DUST COLLECTOR
WITH EXHAUST FAN
56.0kW
E08-COL-651

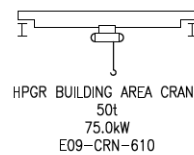
FINE ORE STOCKPILE
DUST COLLECTOR
SCREW CONVEYOR
3.7kW
E08-CNV-652

FINE ORE STOCKPILE
DUST COLLECTOR
ROTARY VALVE
0.7kW
E08-VLV-653

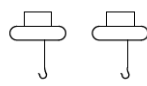
HPGR OVERSIZE CONVEYOR No.3
SPLITTER CHUTE
E09-CHU-617



HPGR
SPARE ROLLER SET
E09-ROL-681



HPGR BUILDING AREA CRANE
50t
75.0kW
E09-CRN-610



FINE ORE STOCKPILE
HOIST No.1 & No.2
2 @ 2t
2 @ 2.0kW
E08-HOI-641 & 642

FINE ORE RECLAIM APRON
FEEDER No.1 TO No.6
6 @ 1524 W x 7600 L
6 @ 112.0kW
E08-FDR-601 TO 606

HPGR FEED CONVEYOR No.2
1372 W x 645000 L
600.0kW
E08-CNV-622

HPGR FEED CONVEYOR No.2
SELF CLEANER MAGNET
10.0kW
E08-MGT-628

HPGR FEED CONVEYOR No.2
METAL DETECTOR
10.0kW
E08-MED-626

HPGR FEED CONVEYOR No.1
1372 W x 645000 L
600.0kW
E08-CNV-621

2881.2	2.8	1029.0
120.1	96.0	120.1
3001.3	2.6	1149.1

HPGR FEED CONVEYOR No.1
SELF CLEANER MAGNET
10.0kW
E08-MGT-627

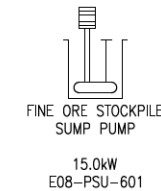
HPGR FEED CONVEYOR No.1
METAL DETECTOR
10.0kW
E08-MED-625

1152.5	2.8	411.6
128.1	90.0	128.1
1280.5	2.4	539.7

1152.5	2.8	411.6
128.1	90.0	128.1
1280.5	2.4	539.7

HPGR SURGE BIN No.2
VENT
E09-EQP-606

HPGR SURGE BIN No.1
VENT
E09-EQP-605



FINE ORE STOCKPILE
SUMP PUMP
15.0kW
E08-PSU-601

HPGR DUST COLLECTOR No.2
WITH EXHAUST FAN
50.0kW
E09-COL-671

HPGR DUST COLLECTOR No.2
SCREW CONVEYOR
3.7kW
E09-CNV-672

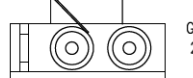
HPGR DUST COLLECTOR No.2
ROTARY VALVE
0.7kW
E09-VLV-673

HPGR BELT FEEDER No. 4
1524 W x 10000 L
80.0kW
E09-FDR-618

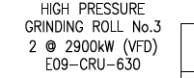
HPGR BELT FEEDER No. 3
1524 W x 10000 L
80.0kW
E09-FDR-617

HPGR BELT FEEDER No. 2
1524 W x 10000 L
80.0kW
E09-FDR-616

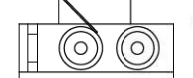
HPGR BELT FEEDER No. 1
1524 W x 10000 L
80.0kW
E09-FDR-615



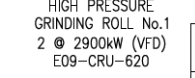
HIGH PRESSURE
GRINDING ROLL No.4
2 @ 2900kW (VFD)
E09-CRU-635



HIGH PRESSURE
GRINDING ROLL No.3
2 @ 2900kW (VFD)
E09-CRU-630



HIGH PRESSURE
GRINDING ROLL No.2
2 @ 2900kW (VFD)
E09-CRU-625



HIGH PRESSURE
GRINDING ROLL No.1
2 @ 2900kW (VFD)
E09-CRU-620

HPGR DUST COLLECTOR No.1
WITH EXHAUST FAN
50.0kW
E09-COL-661

HPGR DUST COLLECTOR No.1
SCREW CONVEYOR
3.7kW
E09-CNV-662

HPGR DUST COLLECTOR No.1
ROTARY VALVE
0.7kW
E09-VLV-663

HPGR CRUSHER
DISCHARGE CONVEYOR No.2
1829 W x 25600 L
70.0kW
E09-CNV-651

HPGR SCREEN
FEED CONVEYOR No.1
1829 W x 205000 L
440.0kW
E09-CNV-652

HPGR CRUSHER
DISCHARGE CONVEYOR No.1
1829 W x 25600 L
70.0kW
E09-CNV-650

4033.7	2.8	1440.6
248.1	94.2	248.1
4281.8	2.5	1688.7

HPGR SCREEN SPLITTER
CHUTE No.1
A00-09-607

HPGR SCREEN SPLITTER
CHUTE No.2
A00-09-608

HPGR SCREEN
FEED CONVEYOR No.2
1829 W x 205000 L
440.0kW
E09-CNV-653

HPGR CRUSHER No.4
LUBE UNIT
E09-LUB-643

HPGR CRUSHER No.4
LUBRICATION COOLER
E09-COO-648

HPGR CRUSHER No.3
LUBRICATION COOLER
E09-COO-647

HPGR CRUSHER No.3
LUBE UNIT
E09-LUB-642

HPGR CRUSHER No.2
LUBE UNIT
E09-LUB-641

HPGR CRUSHER No.2
LUBRICATION COOLER
E09-COO-646

HPGR CRUSHER No.1
LUBRICATION COOLER
E09-COO-645

HPGR CRUSHER No.1
LUBE UNIT
E09-LUB-640

WATER SOLUTIONS LEGEND

t/HR	m ³ /HR
t/HR solids	S.G. solids m ³ /HR solids
t/HR water	% solids m ³ /HR water
t/HR pulp	S.G. pulp m ³ /HR pulp

THE INFORMATION CONTAINED
ON THIS DRAWING HAS BEEN
PREPARED SOLELY FOR THE OWNER
FOR USE ON THIS PROJECT AND
IS COPYRIGHTED. ANY UNAUTHORIZED
USE OF THIS INFORMATION IS
A BREACH OF COPYRIGHT AND
WILL BE PURSUED AS SUCH.
USE OF THE INFORMATION ON
THIS DRAWING IN WHOLE OR
IN PART OTHER THAN FOR
THE INTENDED PURPOSE IS AT
THE SOLE RISK OF THE USER.

DWG. NO.	REFERENCE DRAWINGS
----------	--------------------

CLIENT	PROJ. NO.	PROCESS	DATE	ISSUE	DESCRIPTION	DATE	BY
				1	ISSUED FOR REPORT	12JUL12	AO

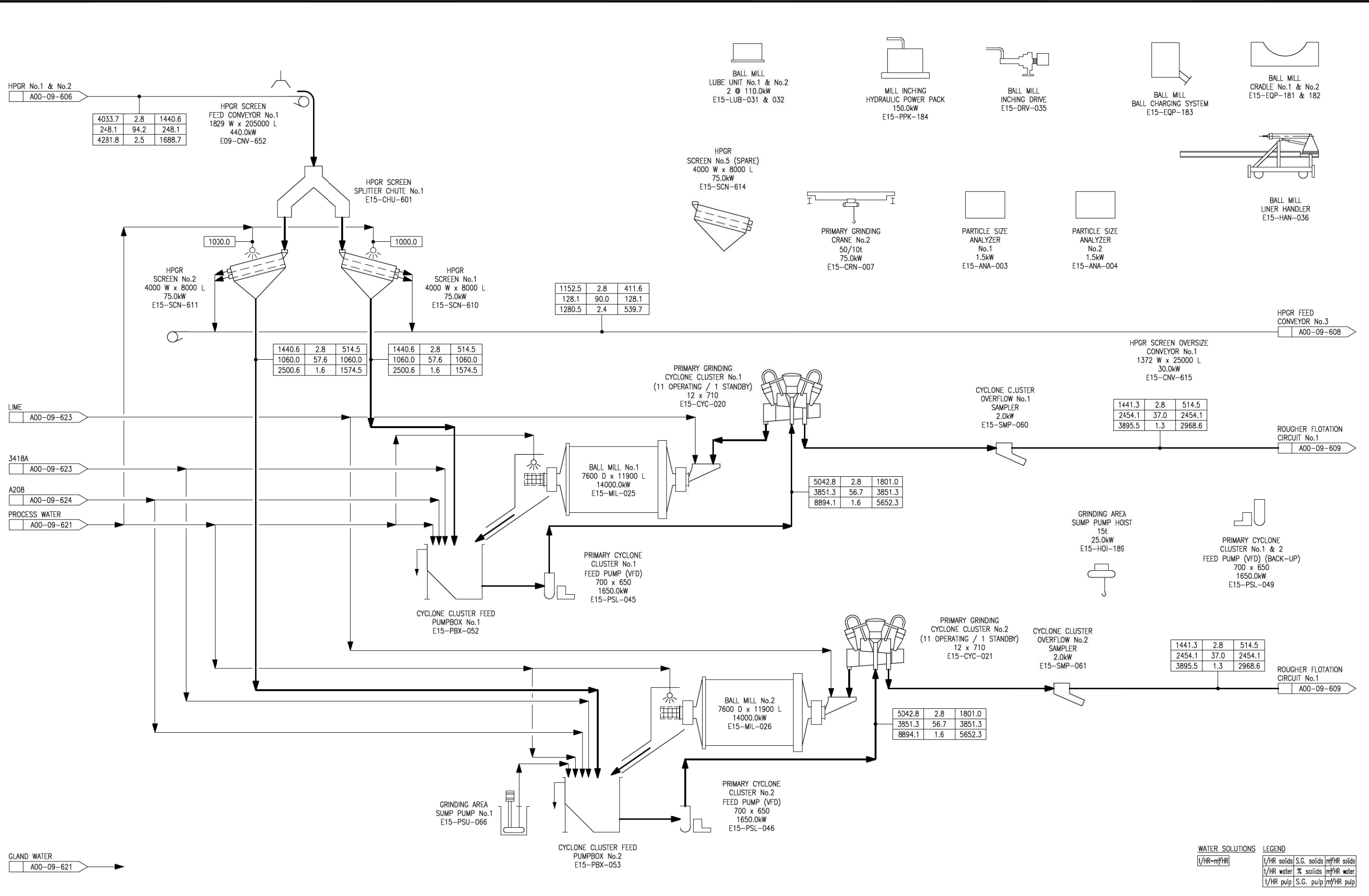
SECTION: PROCESS
SCALE: NONE DATE
DESIGN BY: JH 15MAR12
DRAWN BY: AC 15MAR12
CHECK BY:
APP. BY:

CLIENT:
SEABRIDGE GOLD
BRITISH COLUMBIA, CANADA

TETRA TECH
WARDROP

TITLE: **KERR-SULPHURETS-MITCHELL PROJECT**
(PFS UPDATE - 2012)
PROCESS FLOW DIAGRAM No.06
FINE ORE STOCKPILE AND
TERTIARY CRUSHING (HPGR)

FILENAME	PROJECT NUMBER	DRAWING NUMBER	REV.
A0009606.DWG	12528801.00	A00-09-606	A



WATER SOLUTIONS		LEGEND	
t/HR	solids	S.G.	solids
t/HR	water	%	solids
t/HR	pulp	S.G.	pulp

THE INFORMATION CONTAINED ON THIS DRAWING HAS BEEN PREPARED SOLELY FOR THE OWNER FOR USE ON THIS PROJECT AND IS COPYRIGHTED. ANY UNAUTHORIZED USE OF THIS INFORMATION IS A BREACH OF COPYRIGHT AND WILL BE PURSUED AS SUCH. USE OF THE INFORMATION ON THIS DRAWING IN WHOLE OR IN PART OTHER THAN FOR THE INTENDED PURPOSE IS AT THE SOLE RISK OF THE USER.

DWG. NO.	REFERENCE DRAWINGS
----------	--------------------

CLIENT	PROJ. NO.	PROJ. NAME	PROJ. DATE	PROJ. STATUS	PROJ. LOCATION	PROJ. DESCRIPTION	PROJ. CONTACT	PROJ. PHONE	PROJ. FAX	PROJ. EMAIL	PROJ. WEBSITE

SECTION:	PROCESS
SCALE:	NONE
DATE:	
DESIGN BY:	JH 15MAR12
DRAWN BY:	AC 15MAR12
CHECK BY:	
APP. BY:	

CLIENT: **SEABRIDGE GOLD**
BRITISH COLUMBIA, CANADA



TITLE: KERR-SULPHURETS-MITCHELL PROJECT (PFS UPDATE - 2012)			
PROCESS FLOW DIAGRAM No.07			
PRIMARY GRINDING (TREATY SITE)			
SHEET 1 OF 2			
FILENAME	PROJECT NUMBER	DRAWING NUMBER	REV.
A0009607.DWG	12528801.00	A00-09-607	A

HPGR SCREEN No.1 & No.2
OVERSIZE

HPGR No.3 & No.4

4033.7	2.8	1440.6
248.1	94.2	248.1
4281.8	2.5	1688.7

HPGR SCREEN
FEED CONVEYOR No.2
1829 W x 205000 L
440.0kW
E09-CNV-653

HPGR SCREEN
SPLITTER CHUTE No.2
E15-CHU-602

HPGR SCREEN OVERSIZE
CONVEYOR No.1
1372 W x 25000 L
30.0kW
E15-CNV-615

PRIMARY GRINDING
CRANE No.3
50/10T
75.0kW
E15-CRN-008

BALL MILL
LUBE UNIT No.3 & No.4
2 @ 110.0kW
E15-LUB-033 & 034

BALL MILL
CRADLE No.3 & No.4
E15-EQP-185 & 186

HPGR
SCREEN No.4
4000 W x 8000 L
75.0kW
E15-SCN-613

HPGR
SCREEN No.3
4000 W x 8000 L
75.0kW
E15-SCN-612

HPGR SCREEN OVERSIZE
CONVEYOR No.2
1372 W x 25000 L
30.0kW
E15-CNV-616

HPGR SCREEN OVERSIZE
CONVEYOR No.3
1372 W x 163000 L
235.0kW
E15-CNV-617

HPGR SCREEN OVERSIZE
SPLITTER CHUTE
A00-09-606

1440.6	2.8	514.5
1060.0	57.6	1060.0
2500.6	1.6	1574.5

1440.6	2.8	514.5
1060.0	57.6	1060.0
2500.6	1.6	1574.5

1152.5	2.8	411.6
128.1	90.0	128.1
1280.5	2.4	539.7

PRIMARY GRINDING
CYCLONE CLUSTER No.3
(11 OPERATING / 1 STANDBY)
12 x 710
E15-CYC-022

CYCLONE CLUSTER
OVERFLOW No.3
SAMPLER
2.0kW
E15-SMP-062

1441.3	2.8	514.5
2454.1	37.0	2454.1
3895.6	1.3	2968.6

ROUGHER FLOTATION
CIRCUIT No.2
A00-09-609

LIME
A00-09-623

3418A
A00-09-623

A208
A00-09-624

PROCESS WATER
A00-09-621

BALL MILL No.3
7600 D x 11900 L
14000.0kW
E15-MIL-027

5042.8	2.8	1801.0
3851.3	56.7	3851.3
8894.1	1.6	5652.3

PRIMARY CYCLONE
CLUSTER No.3
FEED PUMP (VFD)
700 x 650
1650.0kW
E15-PSL-047

PRIMARY GRINDING
CYCLONE CLUSTER No.4
(11 OPERATING / 1 STANDBY)
12 x 710
E15-CYC-023

CYCLONE CLUSTER
OVERFLOW No.4
SAMPLER
2.0kW
E15-SMP-063

1441.3	2.8	514.5
2454.1	37.0	2454.1
3895.6	1.3	2968.6

ROUGHER FLOTATION
CIRCUIT No.2
A00-09-609

COOLING WATER
FILTER
E15-FIL-197

FRESH WATER
A00-09-621

MILL
COOLING SYSTEM
350.0kW
E15-SYS-511

BALL MILL
LUBE UNIT No.1 & No.2
2 @ 110.0kW
E15-LUB-031 & 032

BALL MILL
LUBE UNIT No.3 & No.4
2 @ 110.0kW
E15-LUB-033 & 034

GLAND WATER
A00-09-621

GRINDING AREA
SUMP PUMP No.2
E15-PSU-068

CYCLONE CLUSTER FEED
PUMPBOX No.4
E15-PBX-055

PRIMARY CYCLONE
CLUSTER No.4
FEED PUMP (VFD)
700 x 650
1650.0kW
E15-PSL-048

PRIMARY CYCLONE
CLUSTER No.3 & 4
FEED PUMP (VFD) (BACK-UP)
700 x 650
1650.0kW
E15-PSL-050

WATER SOLUTIONS		LEGEND	
t/HR	m ³ /HR	t/HR solids	S.G. solids m ³ /HR solids
t/HR water	% solids	m ³ /HR water	m ³ /HR water
t/HR pulp	S.G. pulp	m ³ /HR pulp	m ³ /HR pulp

THE INFORMATION CONTAINED ON THIS DRAWING HAS BEEN PREPARED SOLELY FOR THE OWNER FOR USE ON THIS PROJECT AND IS COPYRIGHTED. ANY UNAUTHORIZED USE OF THIS INFORMATION IS A BREACH OF COPYRIGHT AND WILL BE PURSUED AS SUCH. USE OF THE INFORMATION ON THIS DRAWING IN WHOLE OR IN PART OTHER THAN FOR THE INTENDED PURPOSE IS AT THE SOLE RISK OF THE USER.

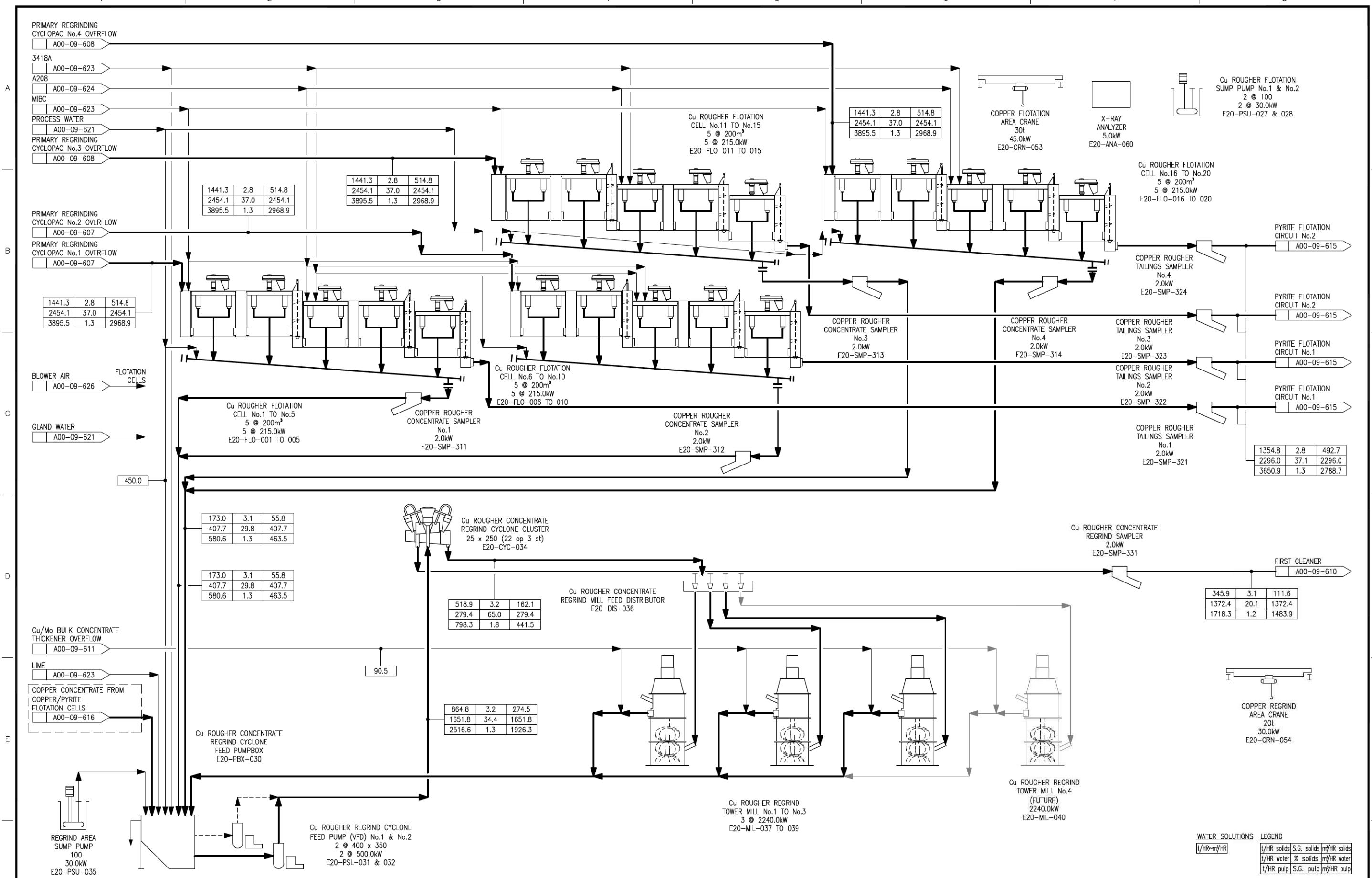
DWG. NO.	REFERENCE DRAWINGS
----------	--------------------

SECTION:	PROCESS
SCALE:	NONE
DATE:	15MAR12
DESIGN BY:	JH
DRAWN BY:	AC
CHECK BY:	
APP. BY:	
DATE:	12JUL12
BY:	AO
NO.:	1
ISSUE:	ISSUED FOR REPORT
DESCRIPTION:	

CLIENT:
SEABRIDGE GOLD
BRITISH COLUMBIA, CANADA

TITLE
KERR-SULPHURETS-MITCHELL PROJECT
(PFS UPDATE - 2012)
PROCESS FLOW DIAGRAM No.08
PRIMARY GRINDING (TREATY SITE)
SHEET 2 OF 2

FILENAME	PROJECT NUMBER	DRAWING NUMBER	REV.
A0009608.DWG	12528801.00	A00-09-608	A



SEABRIDGE GOLD
BRITISH COLUMBIA, CANADA

TETRA TECH
WARDROP

KERR-SULPHURETS-MITCHELL PROJECT (PFS UPDATE - 2012)
PROCESS FLOW DIAGRAM No.09
COPPER ROUGHER
FLOTATION AND REGRIND

FILENAME	PROJECT NUMBER	DRAWING NUMBER	REV.
A0009609.DWG	12528801.00	A00-09-609	A

SECTION: PROCESS
SCALE: NONE
DESIGN BY: JH 15MAR12
DRAWN BY: AC 15MAR12
CHECK BY:
APP. BY:

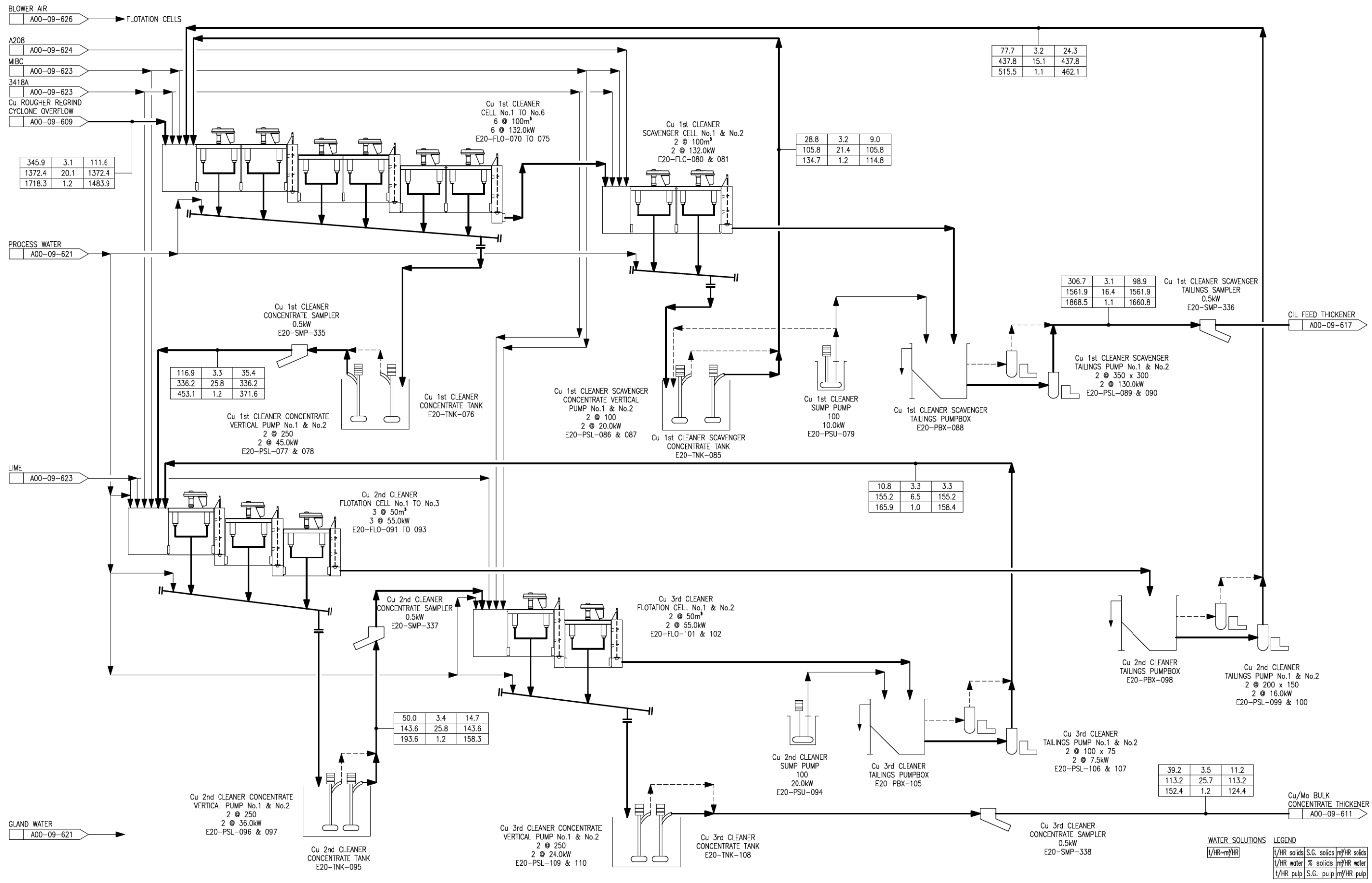
CLIENT: SEABRIDGE GOLD
DATE: 12JUL12
BY: AO

DESCRIPTION: ISSUED FOR REPORT

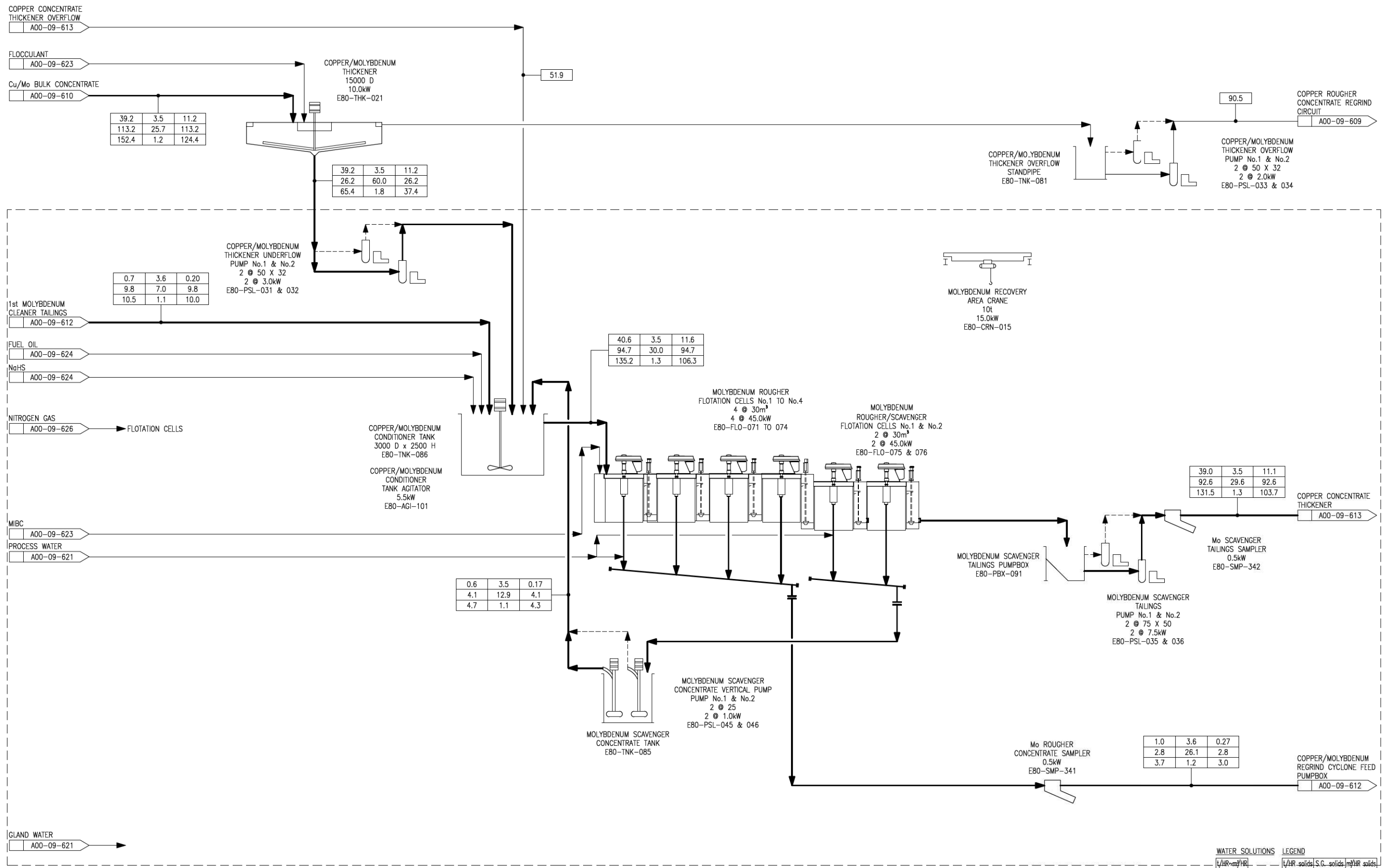
CLIENT	PROGRAM	PROCESS	DESIGN	MECH.	STRUCT.	SERVICES	ARCH.	LAYOUT	REV.	ISSUE
									No.	No.

THE INFORMATION CONTAINED ON THIS DRAWING HAS BEEN PREPARED SOLELY FOR THE OWNER FOR USE ON THIS PROJECT AND IS COPYRIGHTED. ANY UNAUTHORIZED USE OF THIS INFORMATION IS A BREACH OF COPYRIGHT AND WILL BE PURSUED AS SUCH. USE OF THE INFORMATION ON THIS DRAWING IN WHOLE OR IN PART OTHER THAN FOR THE INTENDED PURPOSE IS AT THE SOLE RISK OF THE USER.

DWG. NO. REFERENCE DRAWINGS



<p>THE INFORMATION CONTAINED ON THIS DRAWING HAS BEEN PREPARED SOLELY FOR THE OWNER FOR USE ON THIS PROJECT AND IS COPYRIGHTED. ANY UNAUTHORIZED USE OF THIS INFORMATION IS A BREACH OF COPYRIGHT AND WILL BE PURSUED AS SUCH. USE OF THE INFORMATION ON THIS DRAWING IN WHOLE OR IN PART OTHER THAN FOR THE INTENDED PURPOSE IS AT THE SOLE RISK OF THE USER.</p>	DWG. NO.	REFERENCE DRAWINGS	<table border="1"> <tr><td>CLIENT</td><td>PROJ.MAN</td><td>PROJ.ENGR</td><td>PROCESS</td><td>ELECTR.</td><td>INSTR.</td><td>MECH.</td><td>STRUCT.</td><td>SEVICES</td><td>ARCH.</td><td>LAYOUT</td><td>REV.</td><td>ISSUE</td></tr> <tr><td></td><td></td><td></td><td></td><td></td><td></td><td></td><td></td><td></td><td></td><td></td><td>A</td><td>1</td></tr> </table>	CLIENT	PROJ.MAN	PROJ.ENGR	PROCESS	ELECTR.	INSTR.	MECH.	STRUCT.	SEVICES	ARCH.	LAYOUT	REV.	ISSUE												A	1	<p>SECTION: PROCESS</p> <p>SCALE: NONE DATE</p> <p>DESIGN BY: JH 15MAR12</p> <p>DRAWN BY: AC 15MAR12</p> <p>CHECK BY:</p> <p>APP. BY:</p>	<p>CLIENT: SEABRIDGE GOLD</p> <p>BRITISH COLUMBIA, CANADA</p> <p>TETRA TECH WARDROP</p>	<p>TITLE: KERR-SULPHURETS-MITCHELL PROJECT (PFS UPDATE - 2012)</p> <p>PROCESS FLOW DIAGRAM No.10 COPPER CLEANER FLOTATION</p>
	CLIENT	PROJ.MAN	PROJ.ENGR	PROCESS	ELECTR.	INSTR.	MECH.	STRUCT.	SEVICES	ARCH.	LAYOUT	REV.	ISSUE																			
											A	1																				
			<table border="1"> <tr><td>DATE</td><td>BY</td></tr> <tr><td>12JUL12</td><td>AO</td></tr> </table> <p>ISSUED FOR REPORT</p>	DATE	BY	12JUL12	AO		<table border="1"> <tr><td>FILENAME</td><td>PROJECT NUMBER</td><td>DRAWING NUMBER</td><td>REV.</td></tr> <tr><td>A0009610.DWG</td><td>12528801.00</td><td>A00-09-610</td><td>A</td></tr> </table>	FILENAME	PROJECT NUMBER	DRAWING NUMBER	REV.	A0009610.DWG	12528801.00	A00-09-610	A															
DATE	BY																															
12JUL12	AO																															
FILENAME	PROJECT NUMBER	DRAWING NUMBER	REV.																													
A0009610.DWG	12528801.00	A00-09-610	A																													



WATER SOLUTIONS LEGEND

t/hr	solids	S.G.	solids	m ³ /hr	solids
t/hr	water	%	solids	m ³ /hr	water
t/hr	pulp	S.G.	pulp	m ³ /hr	pulp

THE INFORMATION CONTAINED ON THIS DRAWING HAS BEEN PREPARED SOLELY FOR THE OWNER FOR USE ON THIS PROJECT AND IS COPYRIGHTED. ANY UNAUTHORIZED USE OF THIS INFORMATION IS A BREACH OF COPYRIGHT AND WILL BE PURSUED AS SUCH. USE OF THE INFORMATION ON THIS DRAWING IN WHOLE OR IN PART OTHER THAN FOR THE INTENDED PURPOSE IS AT THE SOLE RISK OF THE USER.

DWG. NO.	REFERENCE DRAWINGS
----------	--------------------

CLIENT	PROGRAM	PROCESS	ELECTR.	INSTR.	MECH.	STRUCT.	SERVICES	ARCH.	LAYOUT	REV.	ISSUE	DESCRIPTION	DATE	BY
										A	1	ISSUED FOR REPORT	12JUL12	AO

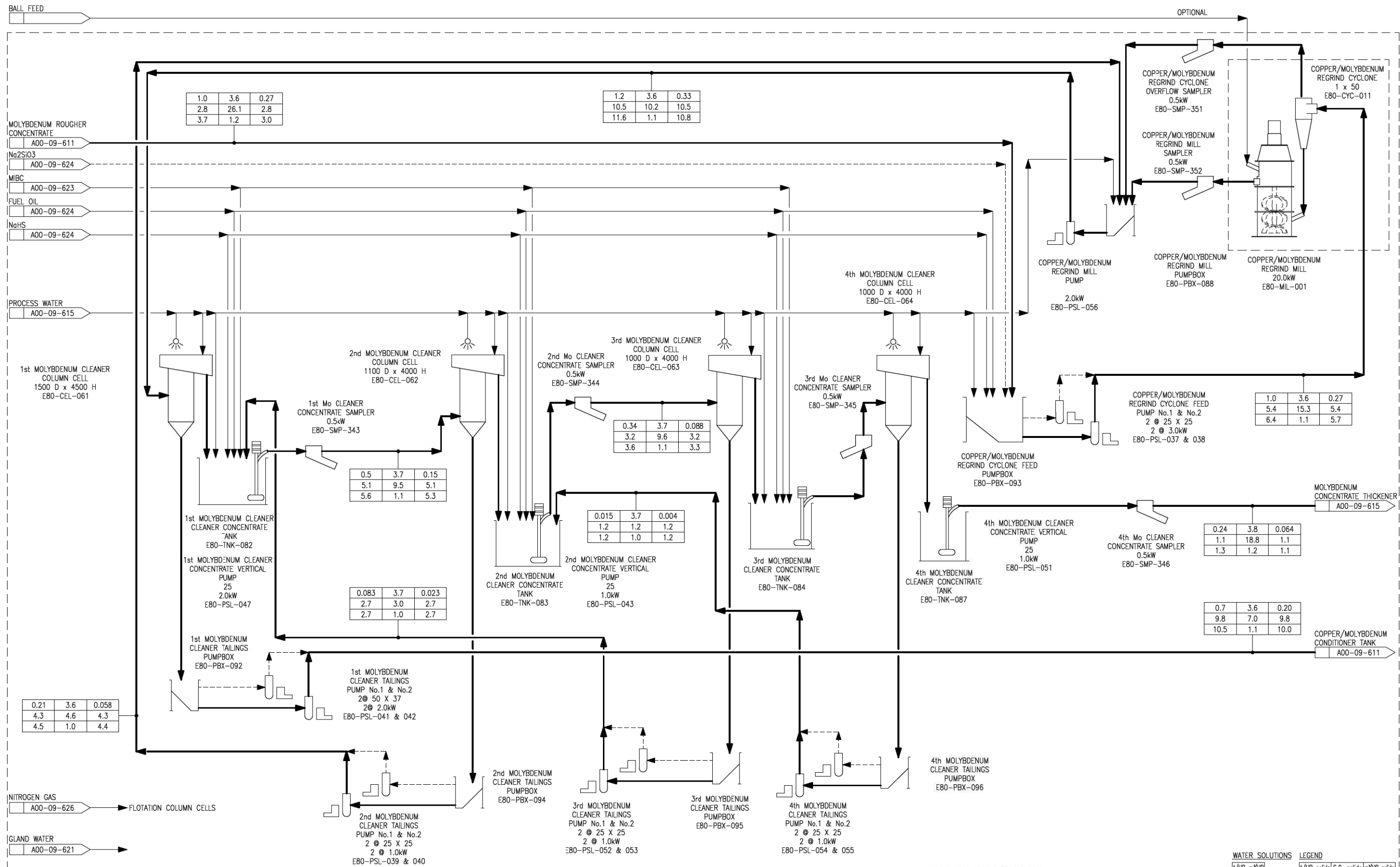
SECTION: PROCESS
 SCALE: NONE DATE
 DESIGN BY: JH 15MAR12
 DRAWN BY: AC 15MAR12
 CHECK BY:
 APP. BY:

CLIENT: SEABRIDGE GOLD
 BRITISH COLUMBIA, CANADA

TETRA TECH WARDROP

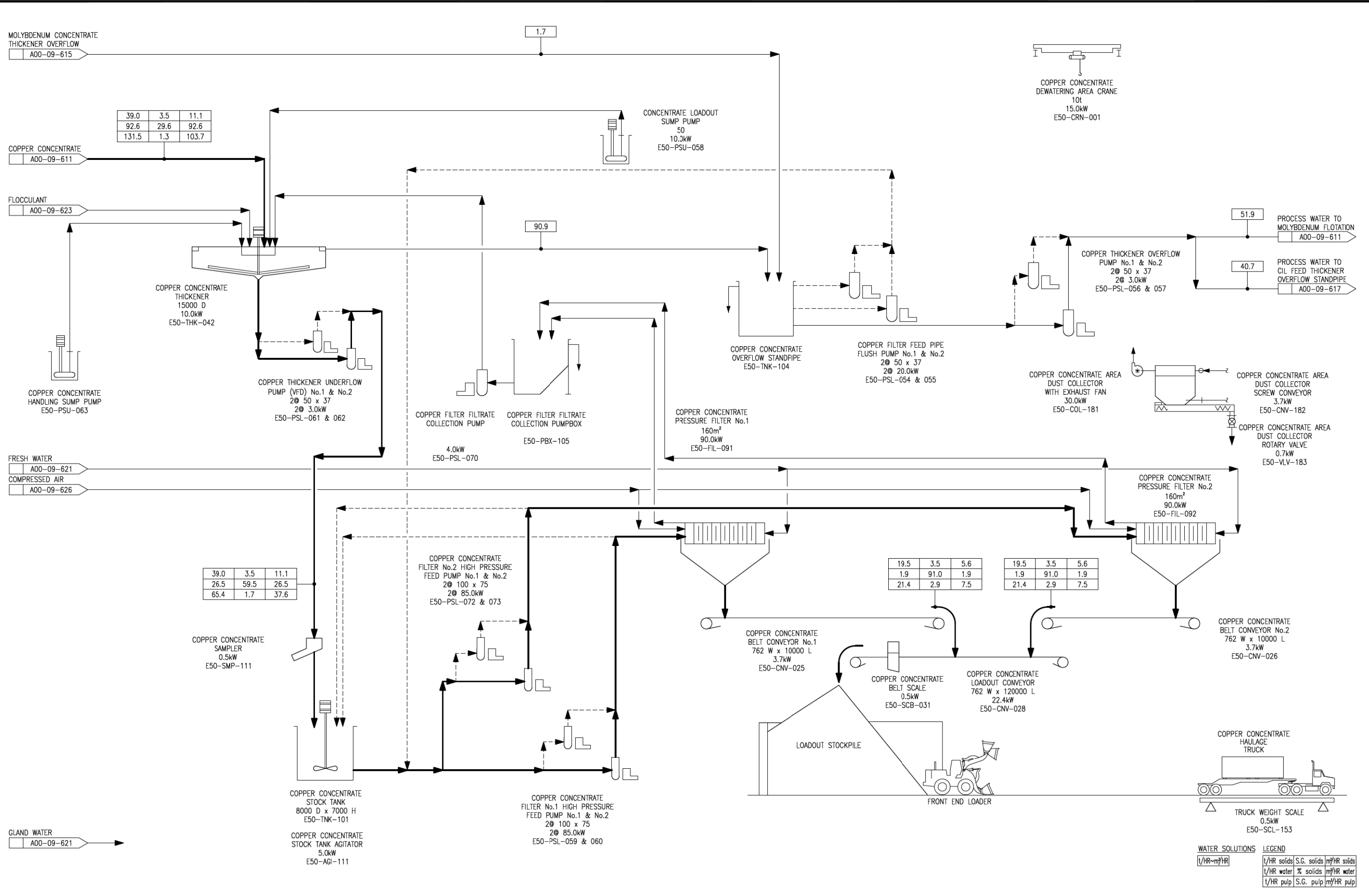
TITLE: KERR-SULPHURETS-MITCHELL PROJECT (PFS UPDATE - 2012)
 PROCESS FLOW DIAGRAM No.11
 MOLYBDENUM RECOVERY CIRCUIT
 SHEET 1 OF 2

FILENAME	PROJECT NUMBER	DRAWING NUMBER	REV.
A0009611.DWG	12528801.00	A00-09-611	A



WATER SOLUTIONS		LEGEND	
t/hr	m³/hr	t/hr solids	S.G. solids m³/hr solids
t/hr water	% solids m³/hr water	t/hr pulp	S.G. pulp m³/hr pulp

THE INFORMATION CONTAINED ON THIS DRAWING HAS BEEN PREPARED SOLELY FOR THE OWNER FOR USE ON THIS PROJECT AND IS COPYRIGHTED. ANY UNAUTHORIZED USE OF THIS INFORMATION IS A BREACH OF COPYRIGHT AND WILL BE PURSUED AS SUCH. USE OF THE INFORMATION ON THIS DRAWING IN WHOLE OR IN PART OTHER THAN FOR THE INTENDED PURPOSE IS AT THE SOLE RISK OF THE USER.	DWG. NO.	REFERENCE DRAWINGS	<table border="1"> <tr><td>CLIENT</td><td>PROGRAM</td><td>PROCESS</td><td>ELECTR.</td><td>INSTR.</td><td>MECH.</td><td>STRUCT.</td><td>SERVICES</td><td>ARCH.</td><td>LAYOUT</td><td>REV.</td><td>ISSUE</td></tr> <tr><td></td><td></td><td></td><td></td><td></td><td></td><td></td><td></td><td></td><td></td><td>A</td><td>1</td></tr> </table>	CLIENT	PROGRAM	PROCESS	ELECTR.	INSTR.	MECH.	STRUCT.	SERVICES	ARCH.	LAYOUT	REV.	ISSUE											A	1	SECTION: PROCESS SCALE: NONE DATE: 15MAR12 DESIGN BY: JH DRAWN BY: AO CHECK BY: APP. BY:	CLIENT: SEABRIDGE GOLD BRITISH COLUMBIA, CANADA 	TITLE: KERR-SULPHURETS-MITCHELL PROJECT (PFS UPDATE - 2012) PROCESS FLOW DIAGRAM No.12 MOLYBDENUM RECOVERY CIRCUIT SHEET 2 OF 2
	CLIENT	PROGRAM	PROCESS	ELECTR.	INSTR.	MECH.	STRUCT.	SERVICES	ARCH.	LAYOUT	REV.	ISSUE																		
											A	1																		
	12/07/11	12/07/11	12/07/11	12/07/11	12/07/11	12/07/11	12/07/11	12/07/11	12/07/11	12/07/11	12/07/11	12/07/11																		
12/07/11	12/07/11	12/07/11	12/07/11	12/07/11	12/07/11	12/07/11	12/07/11	12/07/11	12/07/11	12/07/11	12/07/11																			
12/07/11	12/07/11	12/07/11	12/07/11	12/07/11	12/07/11	12/07/11	12/07/11	12/07/11	12/07/11	12/07/11	12/07/11																			



THE INFORMATION CONTAINED ON THIS DRAWING HAS BEEN PREPARED SOLELY FOR THE OWNER FOR USE ON THIS PROJECT AND IS COPYRIGHTED. ANY UNAUTHORIZED USE OF THIS INFORMATION IS A BREACH OF COPYRIGHT AND WILL BE PURSUED AS SUCH. USE OF THE INFORMATION ON THIS DRAWING IN WHOLE OR IN PART OTHER THAN FOR THE INTENDED PURPOSE IS AT THE SOLE RISK OF THE USER.

DWG. NO.	REFERENCE DRAWINGS
----------	--------------------

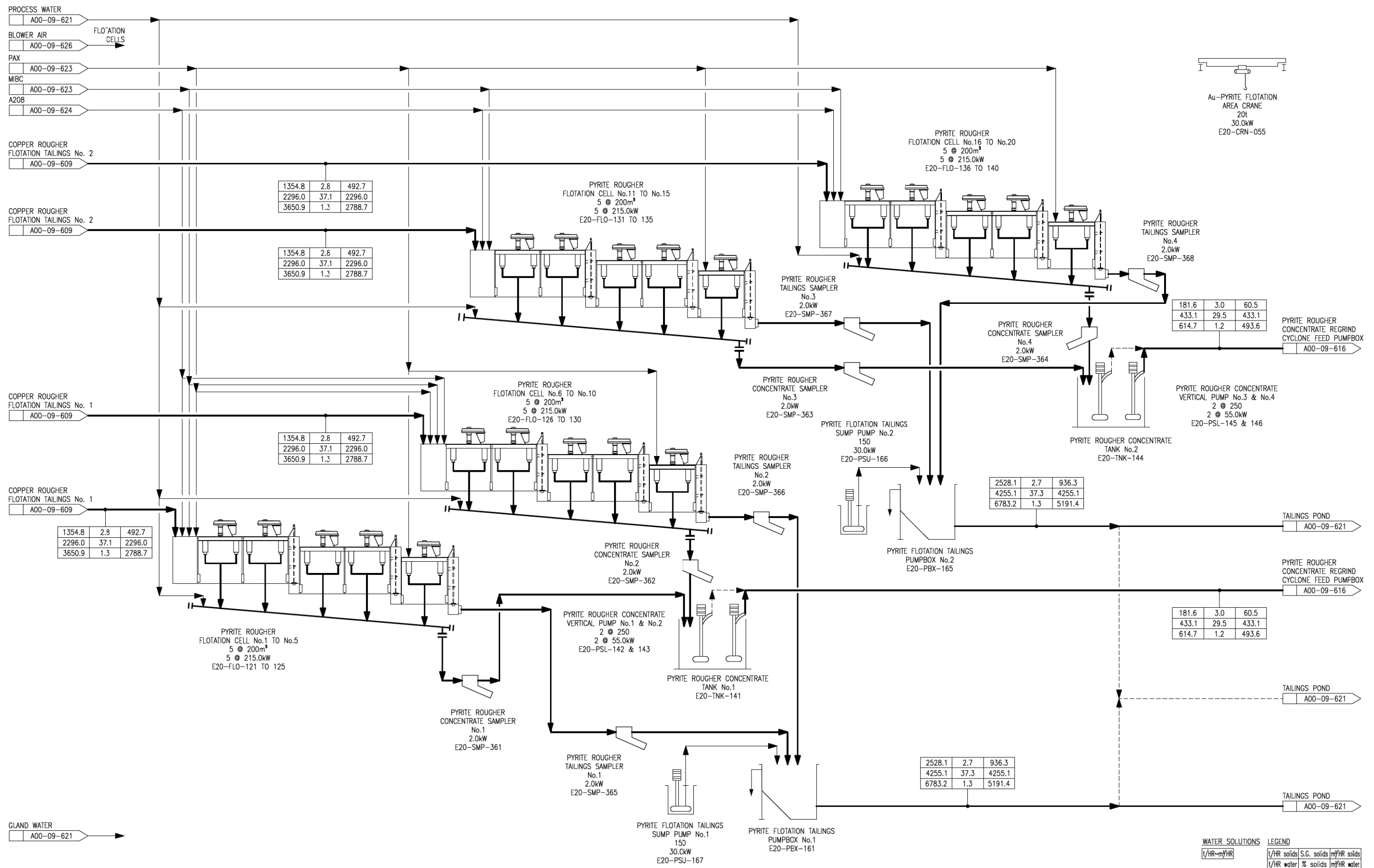
CLIENT	PROGRAM	PROCESS	INSTR.	MECH.	STRUCT.	SERVICES	ARCH.	LAYOUT	REV.	ISSUE	DESCRIPTION	DATE	BY
									A	1	ISSUED FOR REPORT	12JUL12	AO

SECTION: PROCESS
 SCALE: NONE DATE
 DESIGN BY: JH 15MAR12
 DRAWN BY: AC 15MAR12
 CHECK BY:
 APP. BY:

CLIENT: SEABRIDGE GOLD
 BRITISH COLUMBIA, CANADA

TITLE: KERR-SULPHURETS-MITCHELL PROJECT (PFS UPDATE - 2012)
 PROCESS FLOW DIAGRAM No.13
 COPPER CONCENTRATE DEWATERING

FILENAME	PROJECT NUMBER	DRAWING NUMBER	REV.
A0009613.DWG	12528801.00	A00-09-613	A



WATER SOLUTIONS LEGEND

t/hr m³/hr	t/hr solids	S.G.	solids	m³/hr solids
t/hr water	% solids	m³/hr water		
t/hr pulp	S.G.	pulp	m³/hr pulp	

THE INFORMATION CONTAINED ON THIS DRAWING HAS BEEN PREPARED SOLELY FOR THE OWNER FOR USE ON THIS PROJECT AND IS COPYRIGHTED. ANY UNAUTHORIZED USE OF THIS INFORMATION IS A BREACH OF COPYRIGHT AND WILL BE PURSUED AS SUCH. USE OF THE INFORMATION ON THIS DRAWING IN WHOLE OR IN PART OTHER THAN FOR THE INTENDED PURPOSE IS AT THE SOLE RISK OF THE USER.

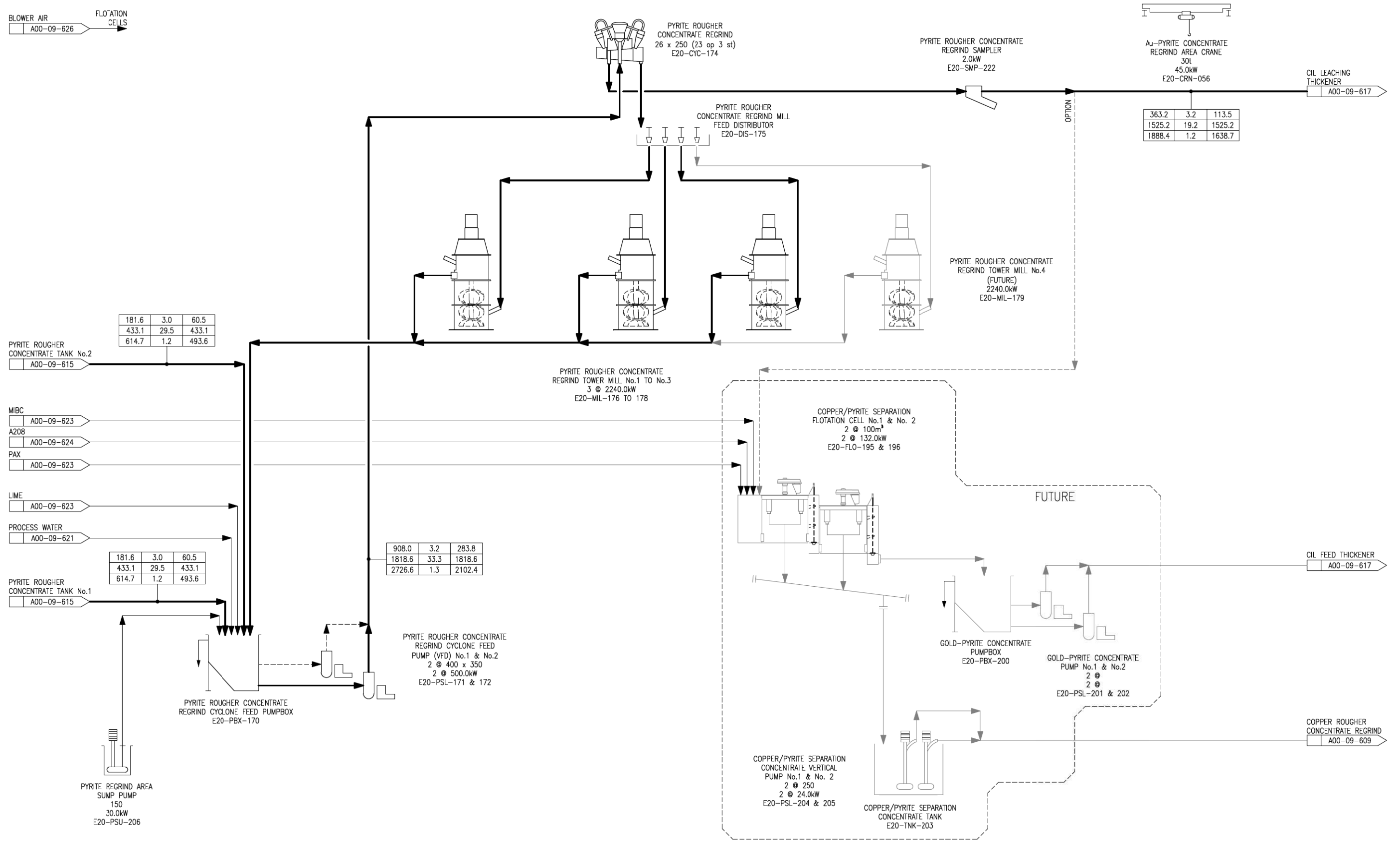
CLIENT	PROGRAM	PROCESS	ELECTR.	INSTR.	PIPING	MECH.	STRUCT.	SERVICES	ANCH.	LAYOUT	REV.	ISSUE	DESCRIPTION	DATE	BY
											1	ISSUED FOR REPORT	12JUL12	AO	

SECTION: PROCESS
 SCALE: NONE
 DESIGN BY: JH 15MAR12
 DRAWN BY: AC 15MAR12
 CHECK BY:
 APP BY:

CLIENT: SEABRIDGE GOLD
 BRITISH COLUMBIA, CANADA

TITLE: KERR-SULPHURETS-MITCHELL PROJECT (PFS UPDATE - 2012)
 PROCESS FLOW DIAGRAM No.15
 PYRITE ROUGHER FLOTATION

FILENAME	PROJECT NUMBER	DRAWING NUMBER	REV.
A0009615.DWG	12528801.00	A00-09-615	A



WATER SOLUTIONS LEGEND

t/HR-m ³ /HR	t/HR solids	S.G. solids	m ³ /HR solids
t/HR water	% solids	m ³ /HR water	
t/HR pulp	S.G. pulp	m ³ /HR pulp	

THE INFORMATION CONTAINED ON THIS DRAWING HAS BEEN PREPARED SOLELY FOR THE OWNER FOR USE ON THIS PROJECT AND IS COPYRIGHTED. ANY UNAUTHORIZED USE OF THIS INFORMATION IS A BREACH OF COPYRIGHT AND WILL BE PURSUED AS SUCH. USE OF THE INFORMATION ON THIS DRAWING IN WHOLE OR IN PART OTHER THAN FOR THE INTENDED PURPOSE IS AT THE SOLE RISK OF THE USER.

DWG. NO.	REFERENCE DRAWINGS
----------	--------------------

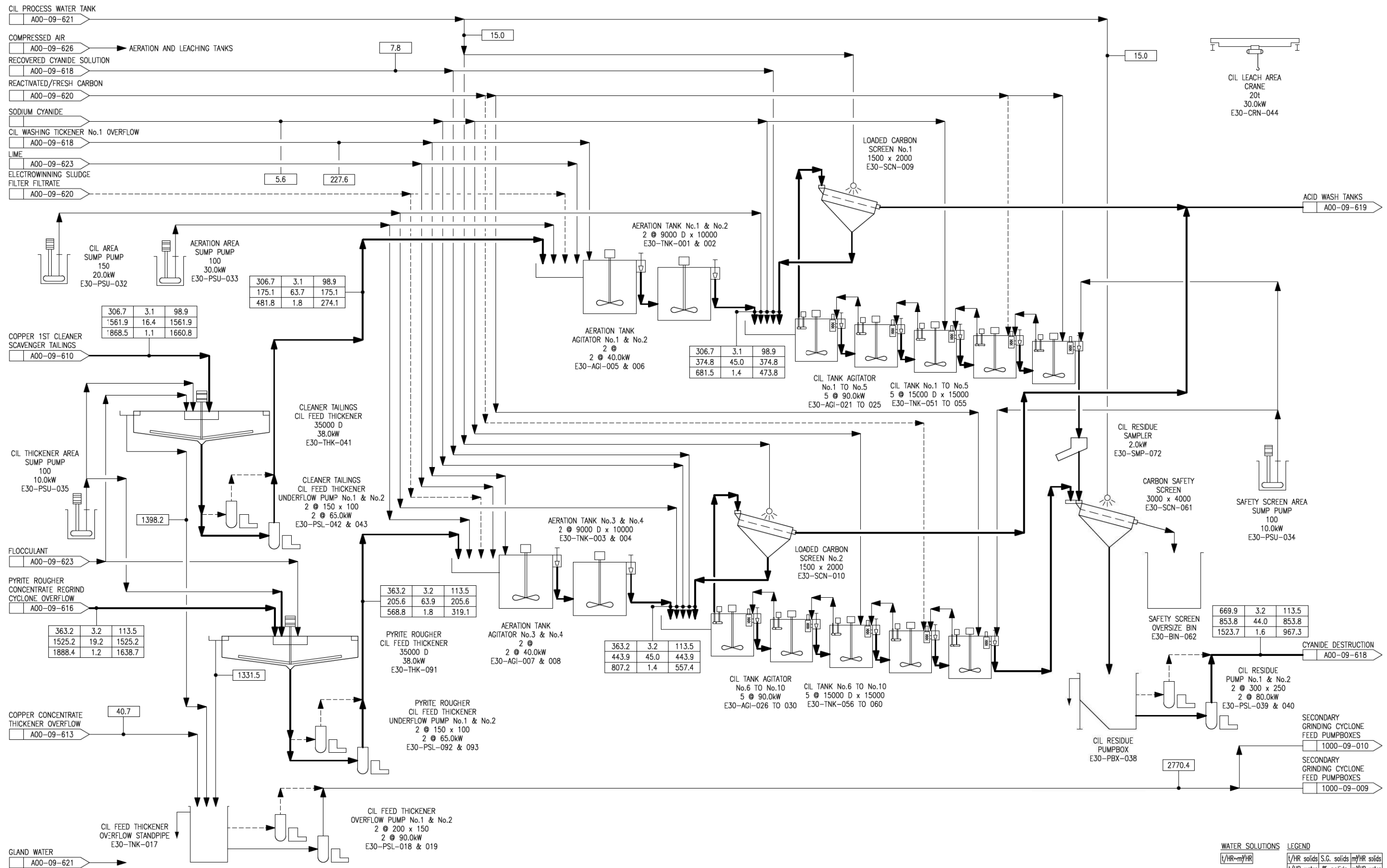
CLIENT	PROGRAM	PROCESS	INSTR.	MECH.	STRUCT.	SERVICES	ARCH.	LAYOUT	REV.	ISSUE	DATE	BY
									A	1	12JUL12	AO
ISSUED FOR REPORT												
DESCRIPTION												

SECTION: PROCESS
 SCALE: NONE DATE
 DESIGN BY: JH 15MAR12
 DRAWN BY: AC 15MAR12
 CHECK BY:
 APP. BY:

CLIENT:
SEABRIDGE GOLD
 BRITISH COLUMBIA, CANADA

TETRA TECH
 WARDROP

TITLE KERR-SULPHURETS-MITCHELL PROJECT (PFS UPDATE - 2012) PROCESS FLOW DIAGRAM No.16 PYRITE REGRIND AND COPPER/PYRITE SEPARATION			
FILENAME	PROJECT NUMBER	DRAWING NUMBER	REV.
A0009616.DWG	12528801.00	A00-09-616	A



WATER SOLUTIONS LEGEND

t/HR-m ³ /HR	t/HR solids	S.G. solids	m ³ /HR solids
t/HR water	% solids	m ³ /HR water	
t/HR pulp	S.G. pulp	m ³ /HR pulp	

THE INFORMATION CONTAINED ON THIS DRAWING HAS BEEN PREPARED SOLELY FOR THE OWNER FOR USE ON THIS PROJECT AND IS COPYRIGHTED. ANY UNAUTHORIZED USE OF THIS INFORMATION IS A BREACH OF COPYRIGHT AND WILL BE PURSUED AS SUCH. USE OF THE INFORMATION ON THIS DRAWING IN WHOLE OR IN PART OTHER THAN FOR THE INTENDED PURPOSE IS AT THE SOLE RISK OF THE USER.

DWG. NO.	REFERENCE DRAWINGS
----------	--------------------

CLIENT	PROJ. NO.	PROJ. NAME	PROCESS	INSTR.	M.ECH.	STRUCT.	SERVICES	ARCH.	REV.	ISSUE	DATE	BY	
									A	1	ISSUED FOR REPORT	12JUL12	AO
									No.	No.			

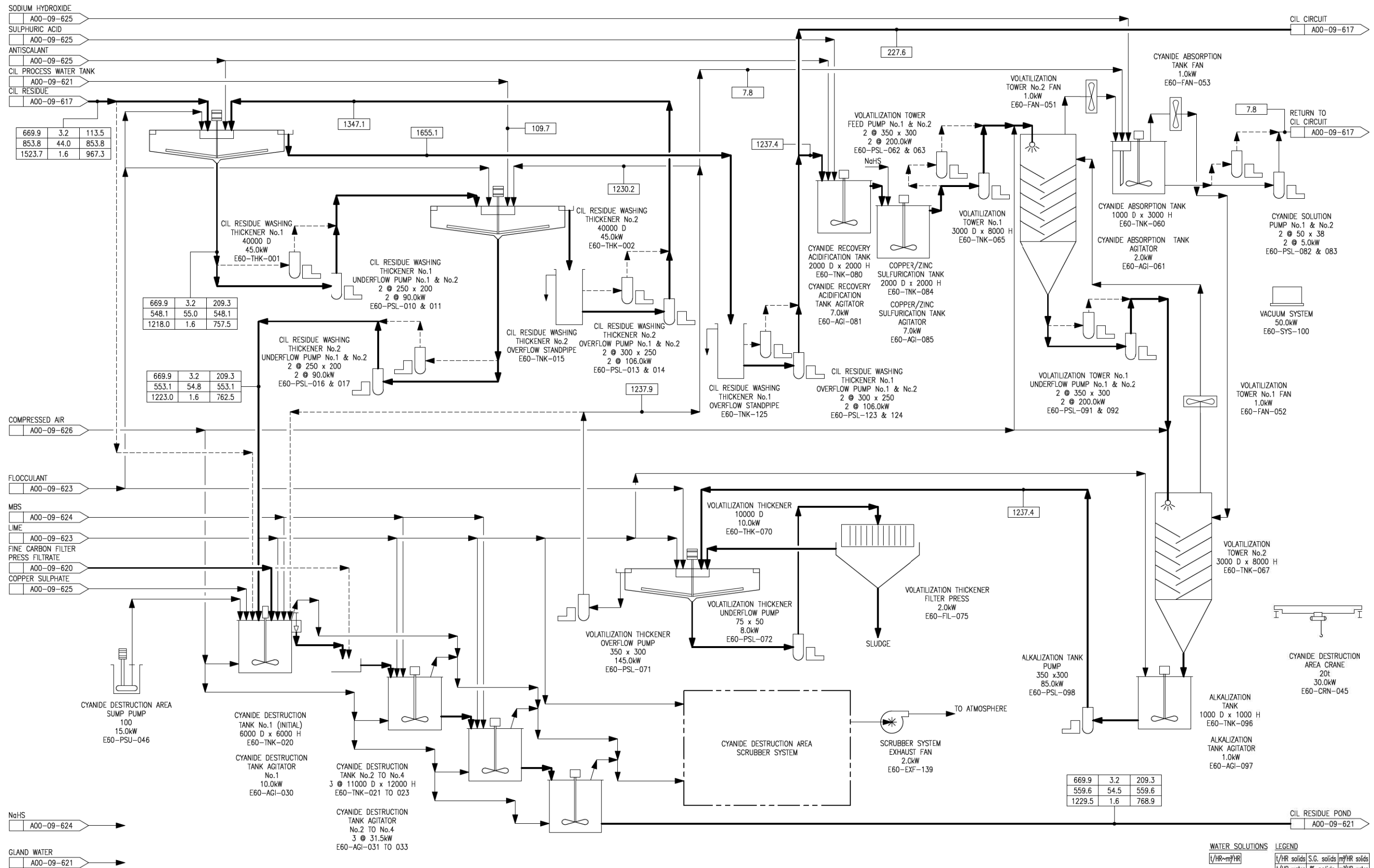
SECTION: PROCESS
 SCALE: NONE DATE
 DESIGN BY: JH 15MAR12
 DRAWN BY: AC 15MAR12
 CHECK BY:
 APP. BY:

CLIENT: SEABRIDGE GOLD
 BRITISH COLUMBIA, CANADA

TETRA TECH
 WARDROP

TITLE: KERR-SULPHURETS-MITCHELL PROJECT (PFS UPDATE - 2012)
 PROCESS FLOW DIAGRAM No.17
 LEACH AND CARBON-IN-LEACH (CIL)

FILENAME	PROJECT NUMBER	DRAWING NUMBER	REV.
A0009617.DWG	12528801.00	A00-09-617	A



THE INFORMATION CONTAINED ON THIS DRAWING HAS BEEN PREPARED SOLELY FOR THE OWNER FOR USE ON THIS PROJECT AND IS COPYRIGHTED. ANY UNAUTHORIZED USE OF THIS INFORMATION IS A BREACH OF COPYRIGHT AND WILL BE PURSUED AS SUCH. USE OF THE INFORMATION ON THIS DRAWING IN WHOLE OR IN PART OTHER THAN FOR THE INTENDED PURPOSE IS AT THE SOLE RISK OF THE USER.

DWG. NO.	REFERENCE DRAWINGS
----------	--------------------

CLIENT	PROGRAM	PROCESS	DESIGN	MECH.	STRUCT.	SEVICES	ARCH.	LAYOUT	REV.	ISSUE	DATE	BY
									A	1	12JUL12	AO
ISSUED FOR REPORT												
DESCRIPTION												

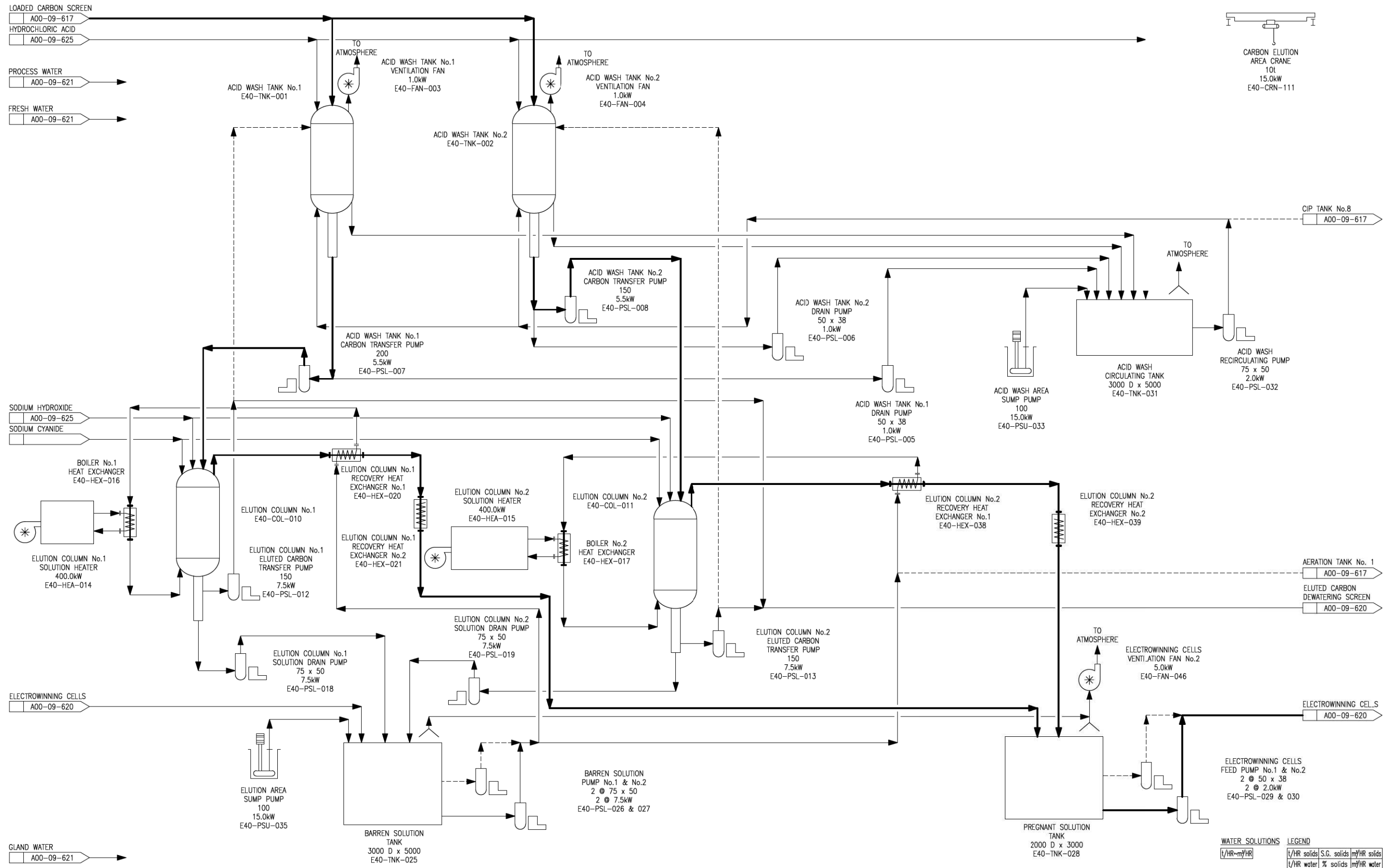
SECTION: PROCESS
 SCALE: NONE DATE
 DESIGN BY: JH 15MAR12
 DRAWN BY: AC 15MAR12
 CHECK BY:
 APP. BY:

CLIENT:
SEABRIDGE GOLD
 BRITISH COLUMBIA, CANADA

TETRA TECH
 WARDROP

TITLE
KERR-SULPHURETS-MITCHELL PROJECT
 (PFS UPDATE - 2012)
 PROCESS FLOW DIAGRAM No.18
 CYANIDE DESTRUCTION AND RECOVERY

FILENAME	PROJECT NUMBER	DRAWING NUMBER	REV.
A0009618.DWG	12528801.00	A00-09-618	A



WATER SOLUTIONS		LEGEND	
t/HR	m ³ /HR	S.G. solids	m ³ /HR solids
t/HR water	% solids	m ³ /HR water	
t/HR pulp	S.G. pulp	m ³ /HR pulp	

THE INFORMATION CONTAINED ON THIS DRAWING HAS BEEN PREPARED SOLELY FOR THE OWNER FOR USE ON THIS PROJECT AND IS COPYRIGHTED. ANY UNAUTHORIZED USE OF THIS INFORMATION IS A BREACH OF COPYRIGHT AND WILL BE PURSUED AS SUCH. USE OF THE INFORMATION ON THIS DRAWING IN WHOLE OR IN PART OTHER THAN FOR THE INTENDED PURPOSE IS AT THE SOLE RISK OF THE USER.

DWG. NO.	REFERENCE DRAWINGS
----------	--------------------

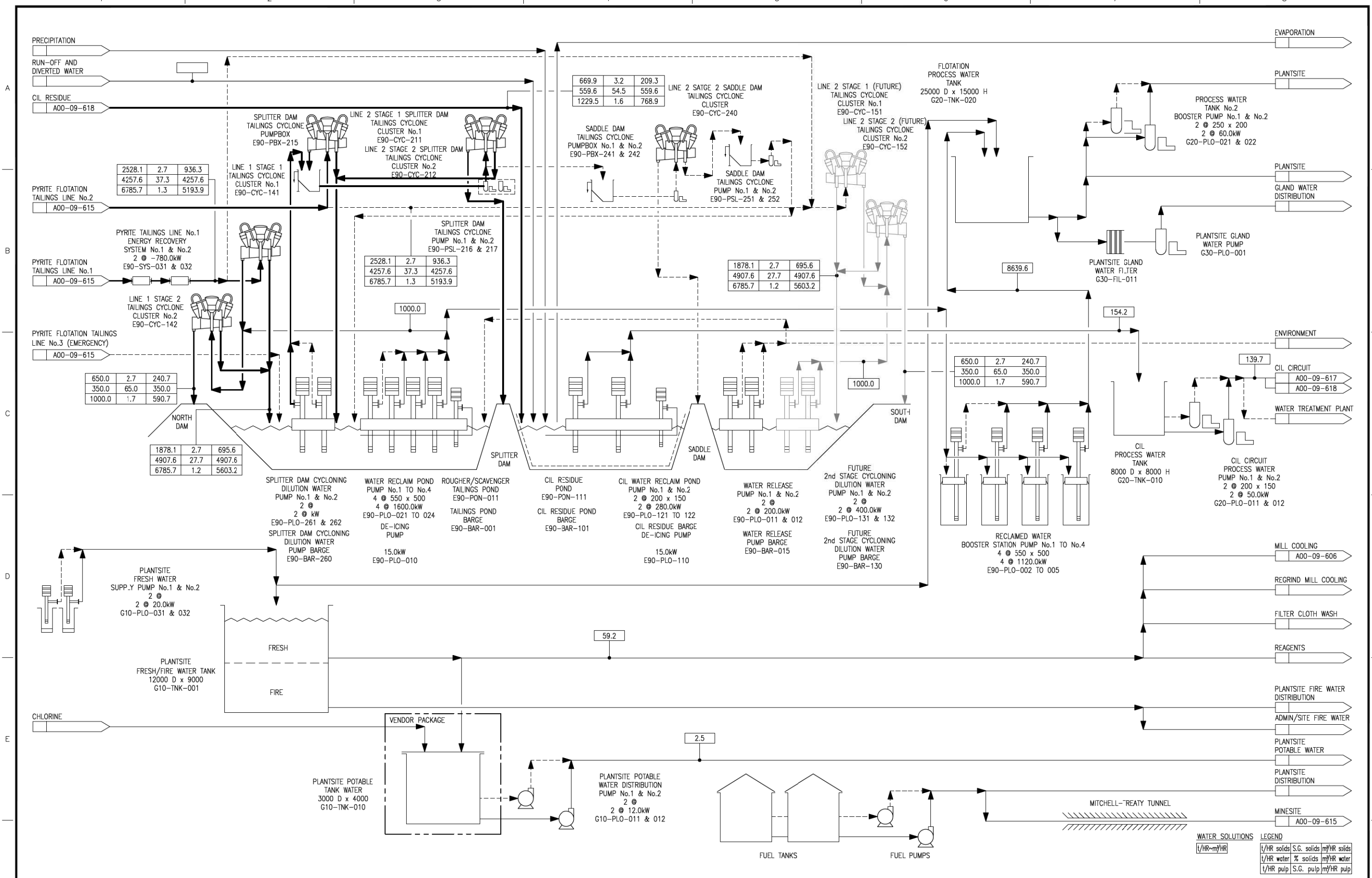
CLIENT	PROJ. NO.	PROJ. NAME	PROJ. DATE	PROJ. LOCATION	PROJ. DESCRIPTION	PROJ. STATUS	PROJ. OWNER	PROJ. CONTACT	PROJ. PHONE	PROJ. FAX	PROJ. EMAIL	PROJ. WEBSITE
SEABRIDGE GOLD												

SECTION: PROCESS
 SCALE: NONE DATE
 DESIGN BY: JH 15MAR12
 DRAWN BY: AC 15MAR12
 CHECK BY:
 APP. BY:

CLIENT: SEABRIDGE GOLD
 BRITISH COLUMBIA, CANADA

TETRA TECH
 WARDROP

TITLE: KERR-SULPHURETS-MITCHELL PROJECT (PFS UPDATE - 2012) PROCESS FLOW DIAGRAM No.19 CARBON ELUTION CIRCUIT			
FILENAME	PROJECT NUMBER	DRAWING NUMBER	REV.
A0009619.DWG	12528801.00	A00-09-619	A



THE INFORMATION CONTAINED ON THIS DRAWING HAS BEEN PREPARED SOLELY FOR THE OWNER FOR USE ON THIS PROJECT AND IS COPYRIGHTED. ANY UNAUTHORIZED USE OF THIS INFORMATION IS A BREACH OF COPYRIGHT AND WILL BE PURSUED AS SUCH. USE OF THE INFORMATION ON THIS DRAWING IN WHOLE OR IN PART OTHER THAN FOR THE INTENDED PURPOSE IS AT THE SOLE RISK OF THE USER.

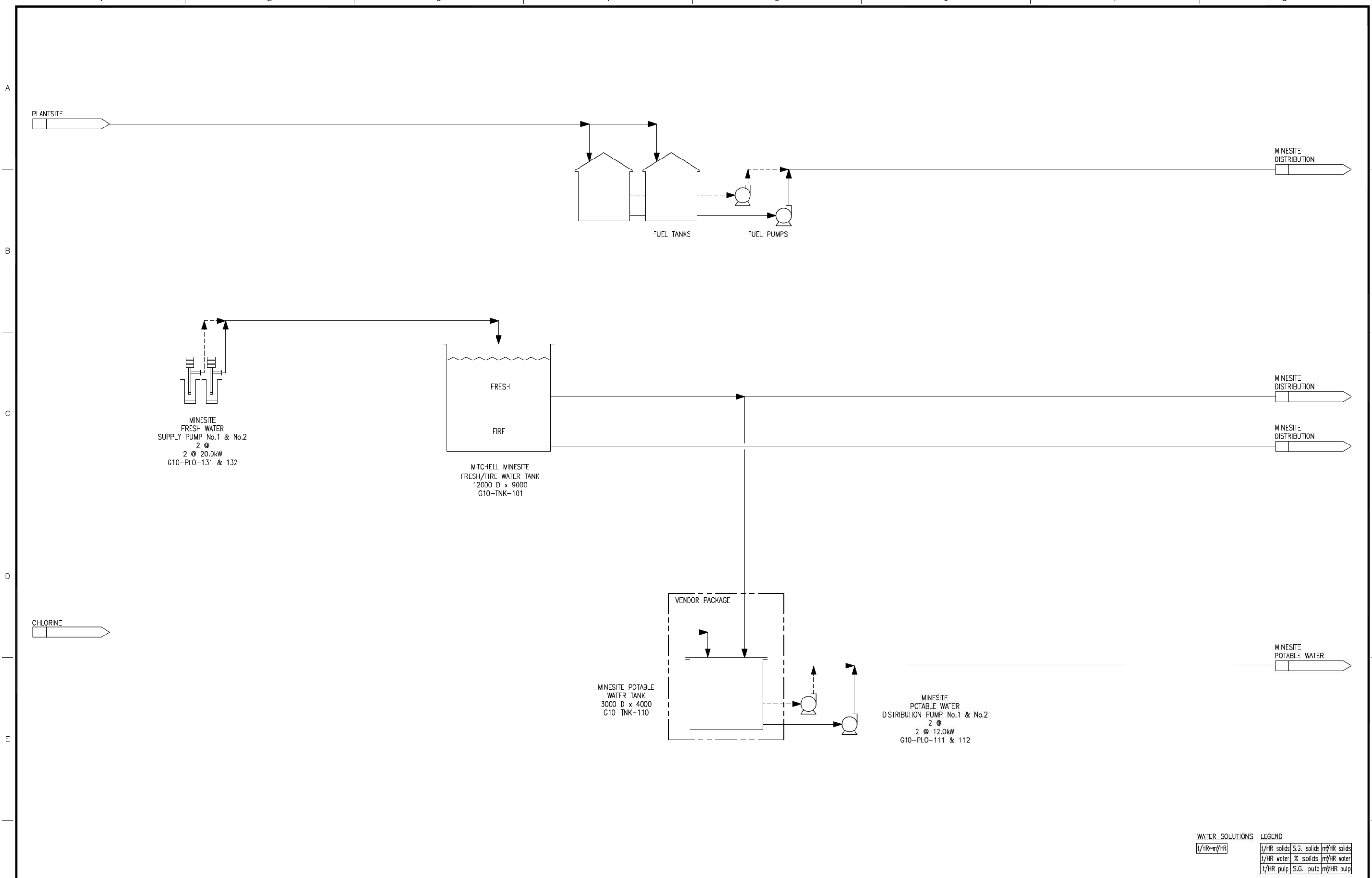
DWG. NO.	REFERENCE DRAWINGS
----------	--------------------

CLIENT	PROJ. NO.	PROJ. NAME	PROJ. DATE	PROJ. STATUS	PROJ. LOCATION	PROJ. DESCRIPTION	PROJ. CONTACT	PROJ. PHONE	PROJ. FAX	PROJ. EMAIL	PROJ. WEBSITE
SEABRIDGE GOLD		KERR-SULPHURETS-MITCHELL PROJECT (PFS UPDATE - 2012)		PROCESS	BRITISH COLUMBIA, CANADA	PROCESS FLOW DIAGRAM No.21 TAILINGS HANDLING AND WATER SERVICES					
DESIGNER	DESIGN DATE	DESIGN BY	DESIGN NO.	DESIGN REV.	DESIGN ISSUE	DESIGN DESCRIPTION	DESIGN DATE	DESIGN BY	DESIGN NO.	DESIGN REV.	DESIGN ISSUE
JH	15MAR12	JH		1	ISSUED FOR REPORT		12JUL12	AO			
DRAWN	DRAWN DATE	DRAWN BY	DRAWN NO.	DRAWN REV.	DRAWN ISSUE	DRAWN DESCRIPTION	DRAWN DATE	DRAWN BY	DRAWN NO.	DRAWN REV.	DRAWN ISSUE
AC	15MAR12	AC									
CHECKED	CHECKED DATE	CHECKED BY	CHECKED NO.	CHECKED REV.	CHECKED ISSUE	CHECKED DESCRIPTION	CHECKED DATE	CHECKED BY	CHECKED NO.	CHECKED REV.	CHECKED ISSUE
APP. BY:	DATE	BY	NO.	REV.	ISSUE	DESCRIPTION	DATE	BY	NO.	REV.	ISSUE

SECTION: PROCESS
 SCALE: NONE
 DATE: 15MAR12
 DESIGN BY: JH
 DRAWN BY: AC
 CHECK BY:
 APP. BY:

CLIENT: SEABRIDGE GOLD
 BRITISH COLUMBIA, CANADA

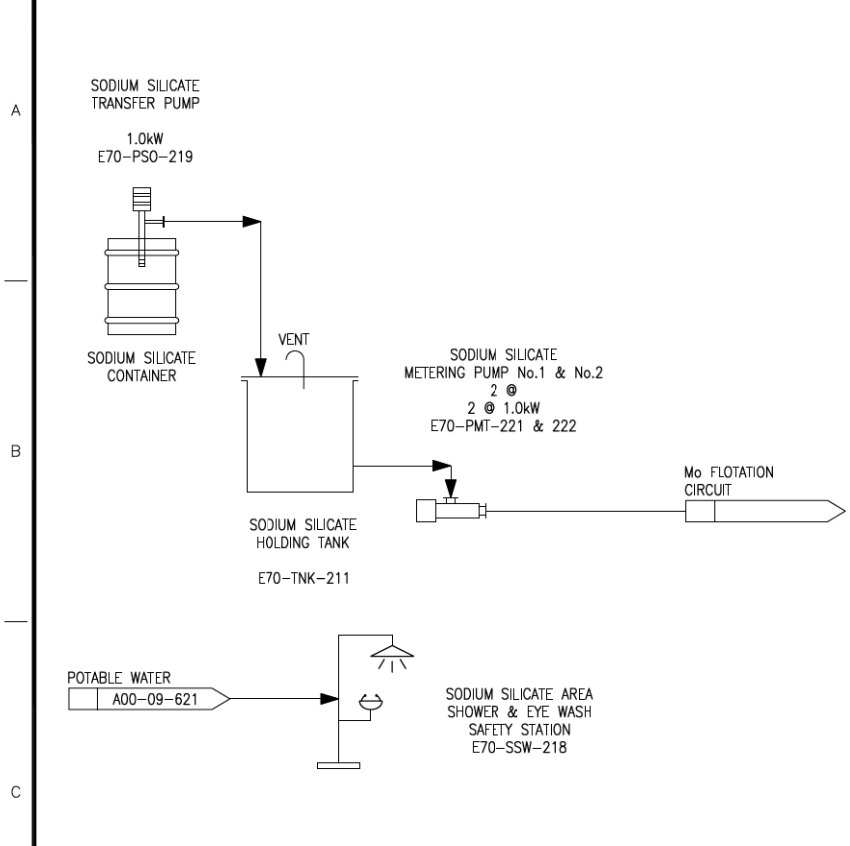
TITLE: KERR-SULPHURETS-MITCHELL PROJECT (PFS UPDATE - 2012)			
PROCESS FLOW DIAGRAM No.21 TAILINGS HANDLING AND WATER SERVICES			
FILENAME	PROJECT NUMBER	DRAWING NUMBER	REV.
A0009621.DWG	12528801.00	A00-09-621	A



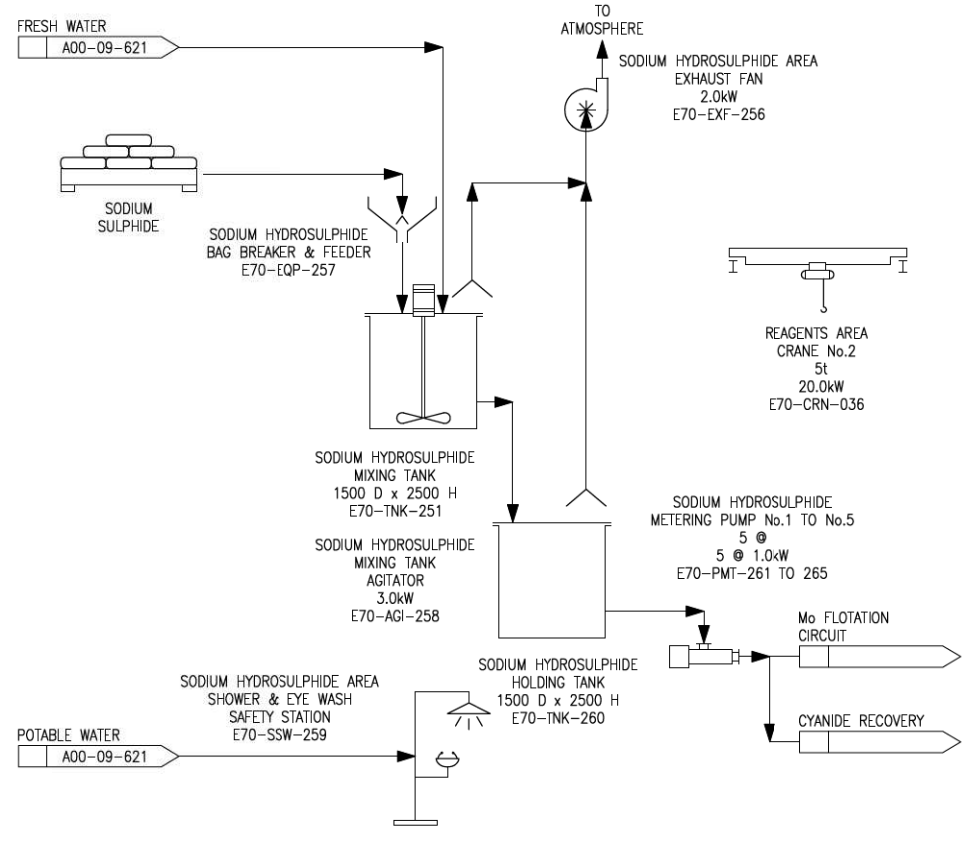
WATER SOLUTIONS		LEGEND	
t/HR-m ³ /HR	t/HR solids	S.G. solids	m ³ /HR solids
t/HR water	% solids	m ³ /HR water	
t/HR pulp	S.G. pulp	m ³ /HR pulp	

THE INFORMATION CONTAINED ON THIS DRAWING HAS BEEN PREPARED SOLELY FOR THE OWNER FOR USE ON THIS PROJECT AND IS COPYRIGHTED. ANY UNAUTHORIZED USE OF THIS INFORMATION IS A BREACH OF COPYRIGHT AND WILL BE PURSUED AS SUCH. USE OF THE INFORMATION ON THIS DRAWING IN WHOLE OR IN PART OTHER THAN FOR THE INTENDED PURPOSE IS AT THE SOLE RISK OF THE USER.	DWG. NO.	REFERENCE DRAWINGS	<table border="1"> <tr> <td>CLIENT</td><td>PROGRAM</td><td>PROCESS</td><td>ELECTR.</td><td>INSTR.</td><td>MECH.</td><td>STRUCT.</td><td>SERVICES</td><td>ARCH.</td><td>LAYOUT</td><td>REV.</td><td>ISSUE</td><td>DATE</td><td>BY</td> </tr> <tr> <td></td><td></td><td></td><td></td><td></td><td></td><td></td><td></td><td></td><td></td><td>A</td><td>1</td><td>ISSUED FOR REPORT</td><td>12JUL12</td><td>AO</td> </tr> </table>										CLIENT	PROGRAM	PROCESS	ELECTR.	INSTR.	MECH.	STRUCT.	SERVICES	ARCH.	LAYOUT	REV.	ISSUE	DATE	BY											A	1	ISSUED FOR REPORT	12JUL12	AO	SECTION: PROCESS	CLIENT:	TITLE:
	CLIENT	PROGRAM	PROCESS	ELECTR.	INSTR.	MECH.	STRUCT.	SERVICES	ARCH.	LAYOUT	REV.	ISSUE	DATE	BY																														
											A	1	ISSUED FOR REPORT	12JUL12	AO																													
																SCALE: NONE	DATE:	SEABRIDGE GOLD	KERR-SULPHURETS-MITCHELL PROJECT (PFS UPDATE - 2012)																									
															DESIGN BY: JH	15MAR12	BRITISH COLUMBIA, CANADA	PROCESS FLOW DIAGRAM No.22																										
															DRAWN BY: AC	15MAR12	TETRA TECH WARDROP	MITCHELL MINESITE CRUSHING AND MINE SITE WATER SERVICES																										
															CHECK BY:																													
															APP. BY:																													
																	FILENAME	PROJECT NUMBER	DRAWING NUMBER	REV.																								
																	A0009622.DWG	12528801.00	A00-09-622	A																								

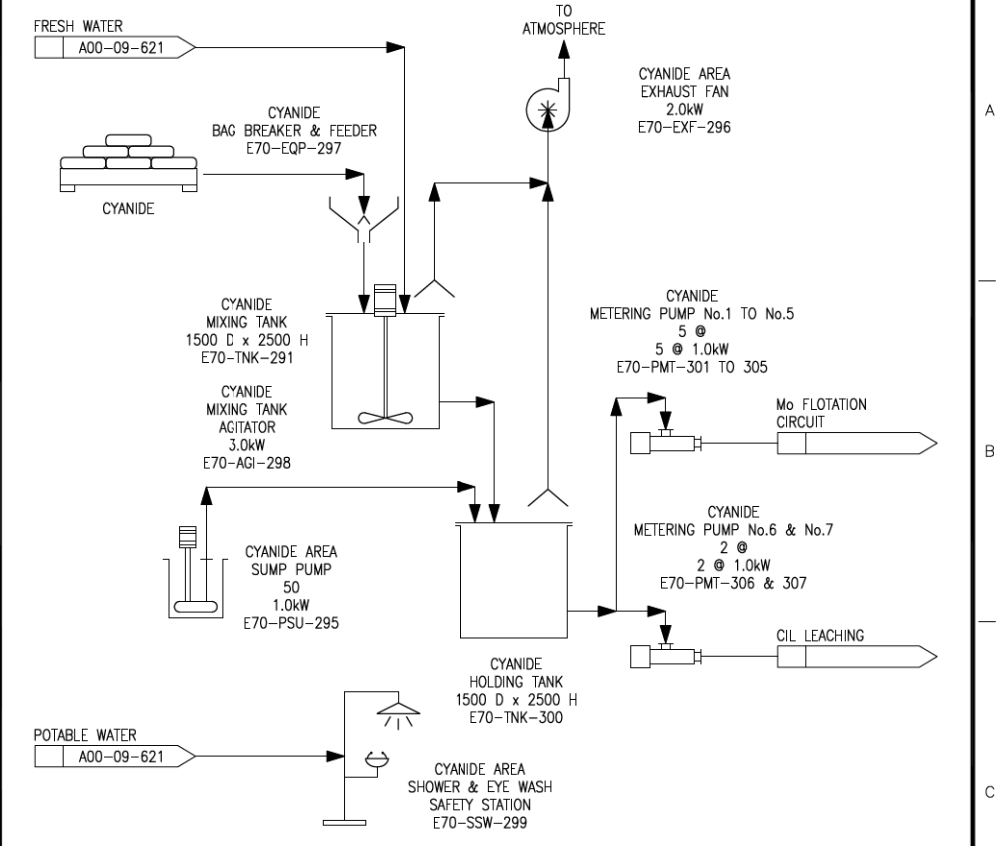
SODIUM SILICATE (Na₂SiO₃) SYSTEM



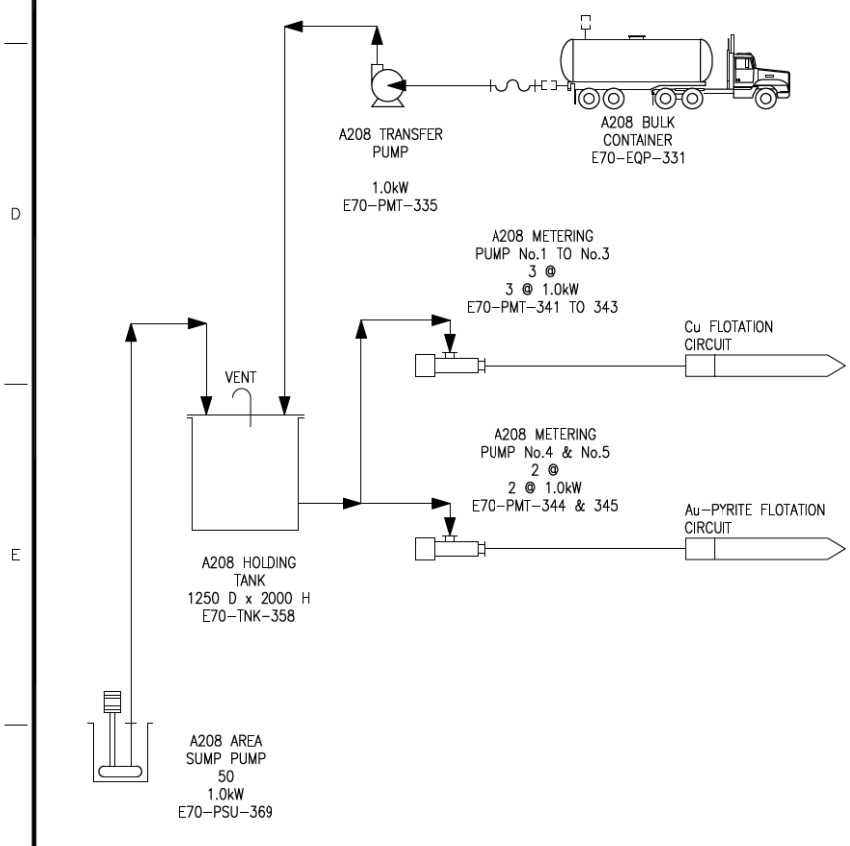
SODIUM HYDROSULPHIDE (NaHS) SYSTEM



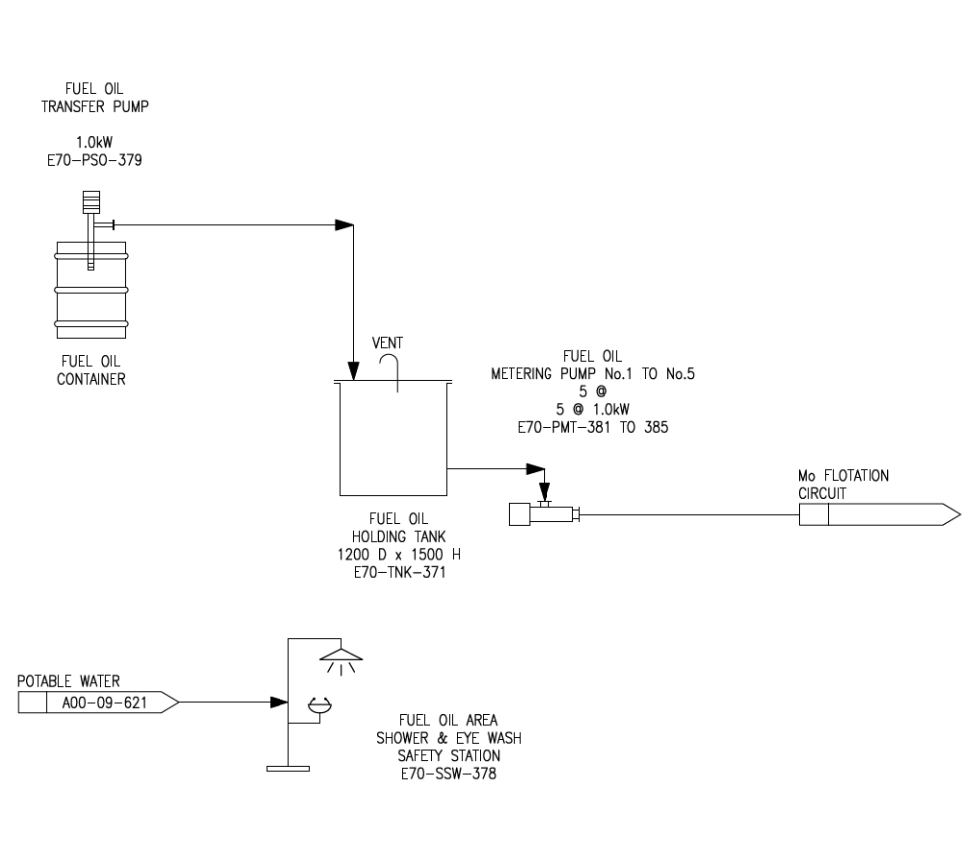
CYANIDE (NaCN) SYSTEM



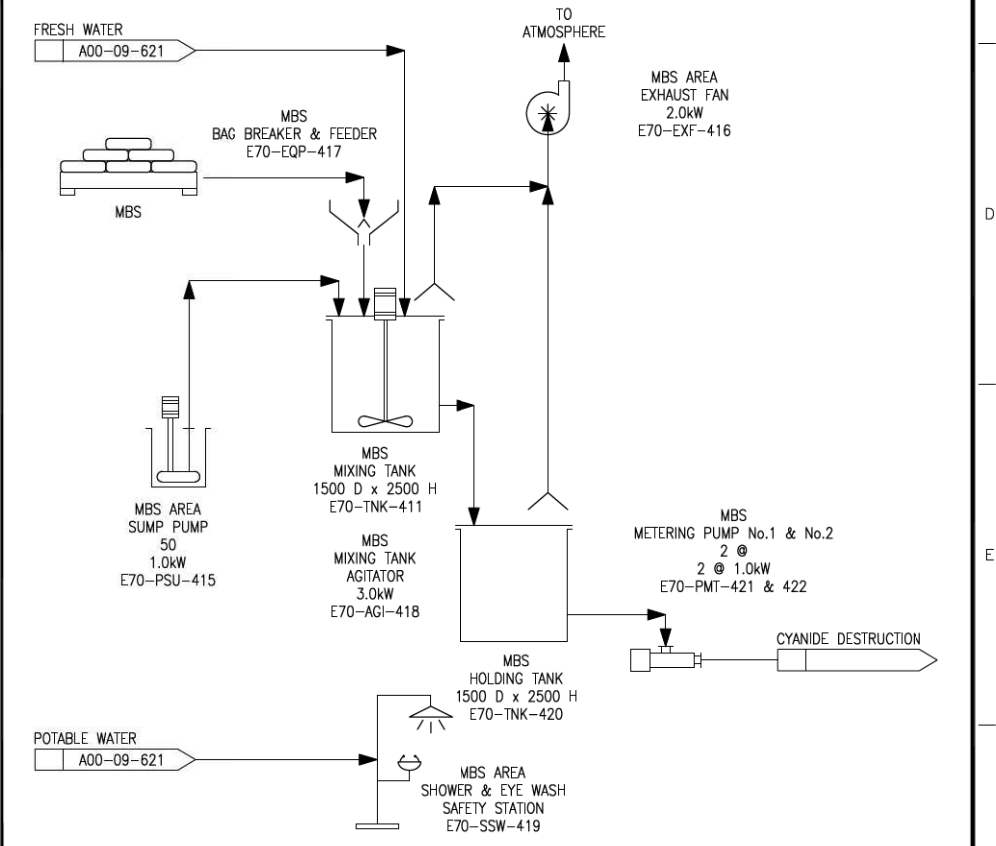
A208 SYSTEM



FUEL OIL SYSTEM



SODIUM METABISULPHIDE (MBS) SYSTEM



THE INFORMATION CONTAINED ON THIS DRAWING HAS BEEN PREPARED SOLELY FOR THE OWNER FOR USE ON THIS PROJECT AND IS COPYRIGHTED. ANY UNAUTHORIZED USE OF THIS INFORMATION IS A BREACH OF COPYRIGHT AND WILL BE PURSUED AS SUCH. USE OF THE INFORMATION ON THIS DRAWING IN WHOLE OR IN PART OTHER THAN FOR THE INTENDED PURPOSE IS AT THE SOLE RISK OF THE USER.

DWG. NO.	REFERENCE DRAWINGS
----------	--------------------

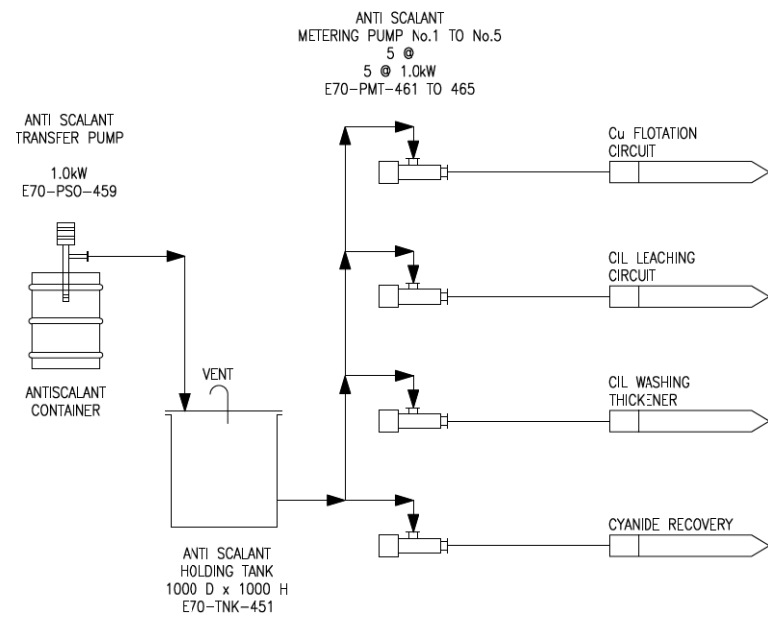
CLIENT	PROJ.MAN	PROJ.ENGR	PROCESS	ELECTR.	MECH.	STRUC.	SERVICES	ARCH.	LAYOUT	REV.	ISSUE	DESCRIPTION	DATE	BY
										A	1	ISSUED FOR REPORT	12JUL12	AO

SECTION:	PROCESS
SCALE:	NONE
DATE:	
DESIGN BY:	JH 15MAR12
DRAWN BY:	AO 15MAR12
CHECK BY:	
APP. BY:	

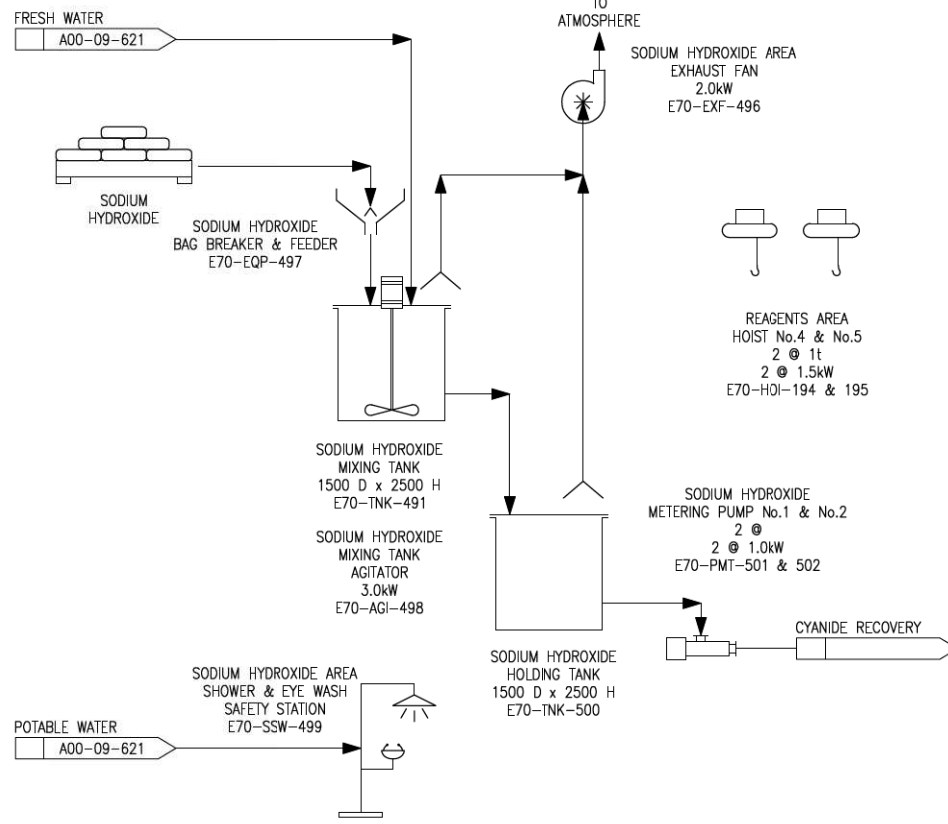
CLIENT: **SEABRIDGE GOLD**
 BRITISH COLUMBIA, CANADA

TITLE: KERR-SULPHURETS-MITCHELL PROJECT (PFS UPDATE - 2012)			
PROCESS FLOW DIAGRAM No.24			
PLANTSITE REAGENTS			
SHEET 2 OF 3			
FILENAME	PROJECT NUMBER	DRAWING NUMBER	REV.
A0009624.DWG	12528801.00	A00-09-624	A

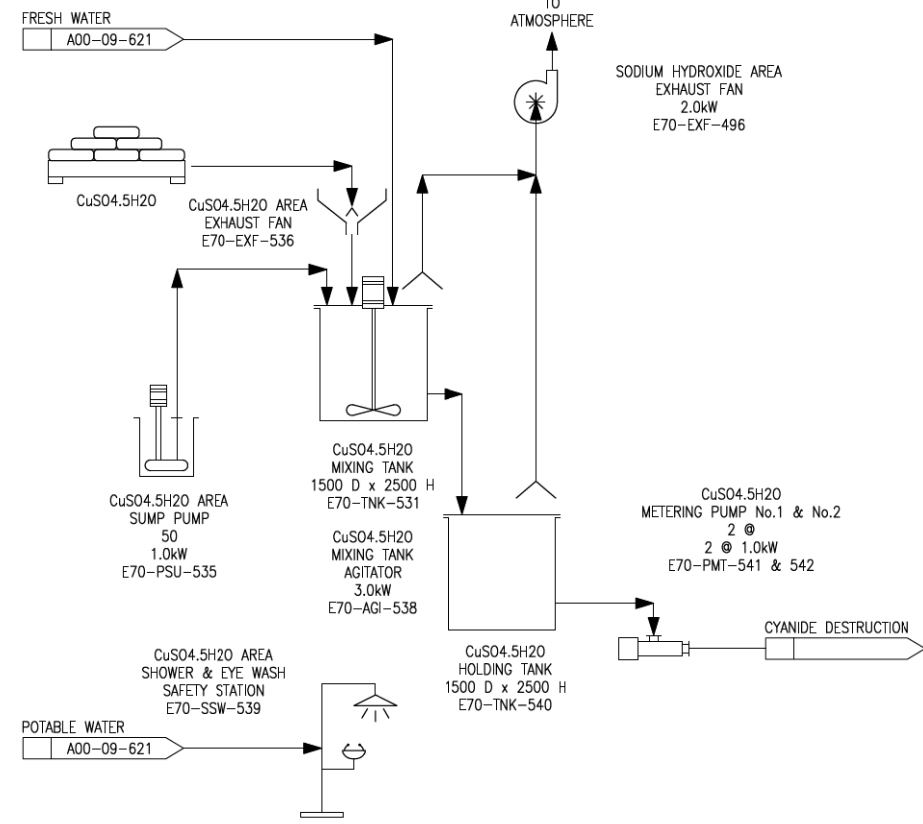
ANTISCALANT SYSTEM



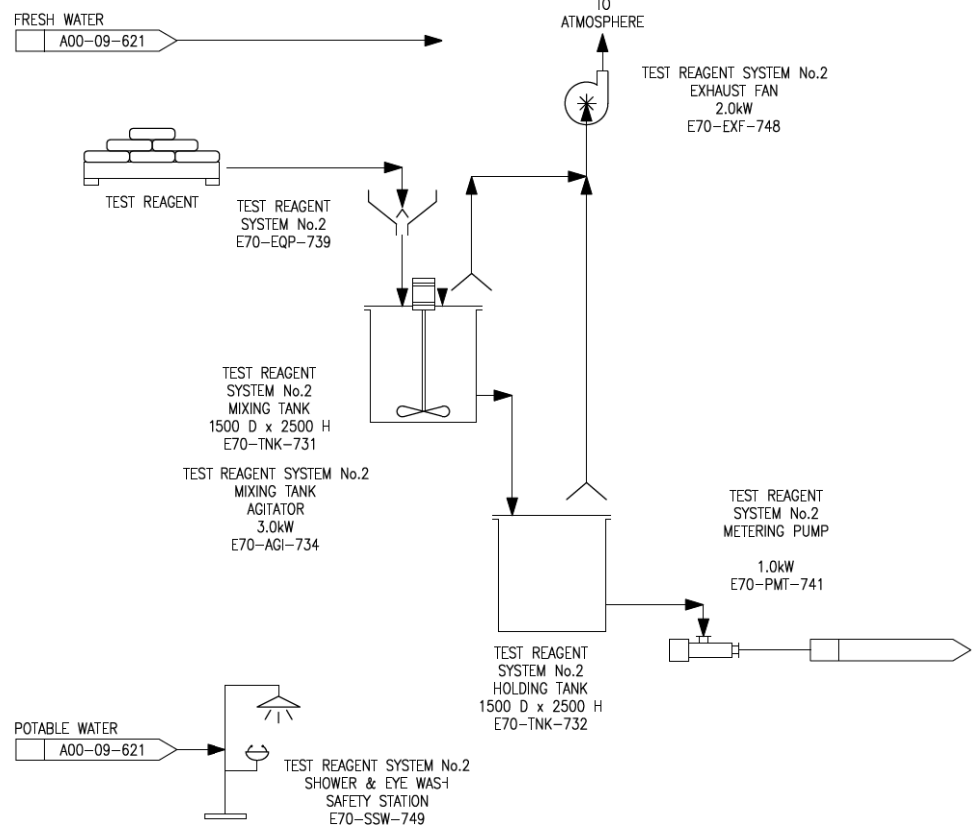
SODIUM HYDROXIDE (NaOH) SYSTEM



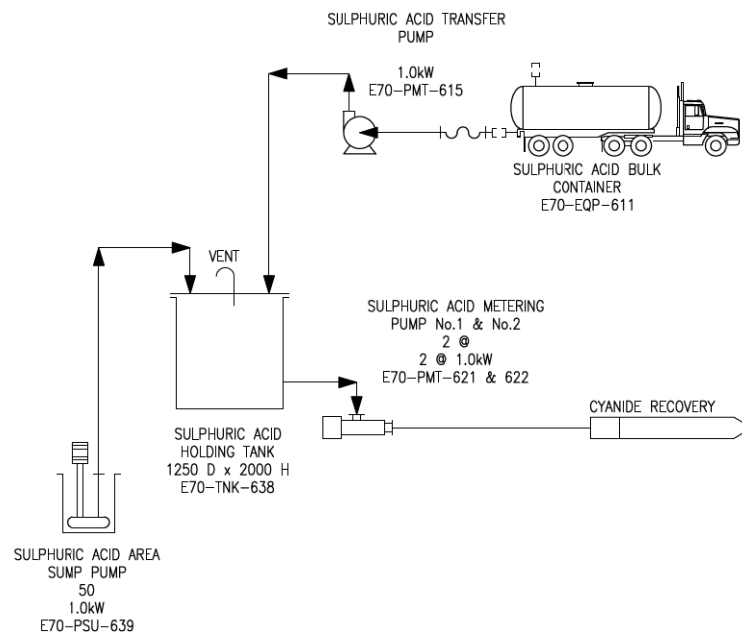
COPPER SULPHATE PENTAHYDRATE (CuSO4.5H2O) SYSTEM



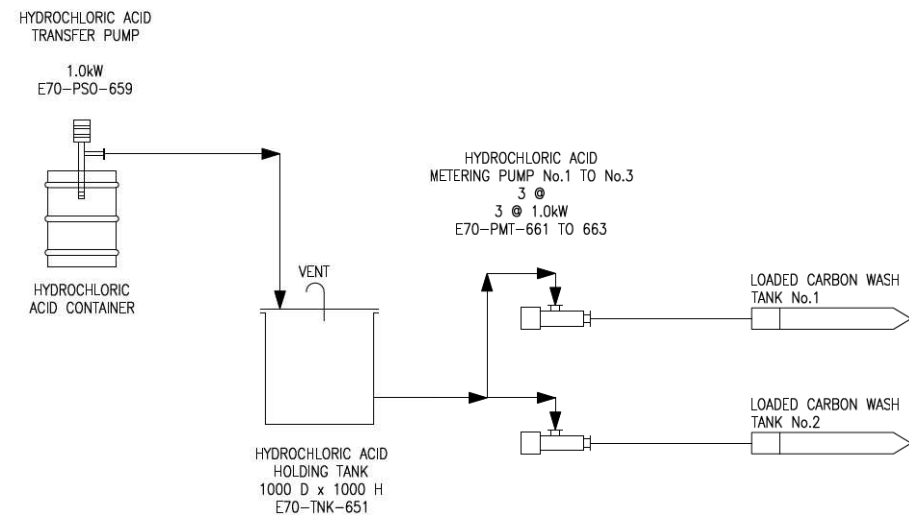
TEST REAGENT SYSTEM No.2



SULPHURIC ACID (H2SO4) SYSTEM



HYDROCHLORIC ACID (HCl) SYSTEM



THE INFORMATION CONTAINED ON THIS DRAWING HAS BEEN PREPARED SOLELY FOR THE OWNER FOR USE ON THIS PROJECT AND IS COPYRIGHTED. ANY UNAUTHORIZED USE OF THIS INFORMATION IS A BREACH OF COPYRIGHT AND WILL BE PURSUED AS SUCH. USE OF THE INFORMATION ON THIS DRAWING IN WHOLE OR IN PART OTHER THAN FOR THE INTENDED PURPOSE IS AT THE SOLE RISK OF THE USER.

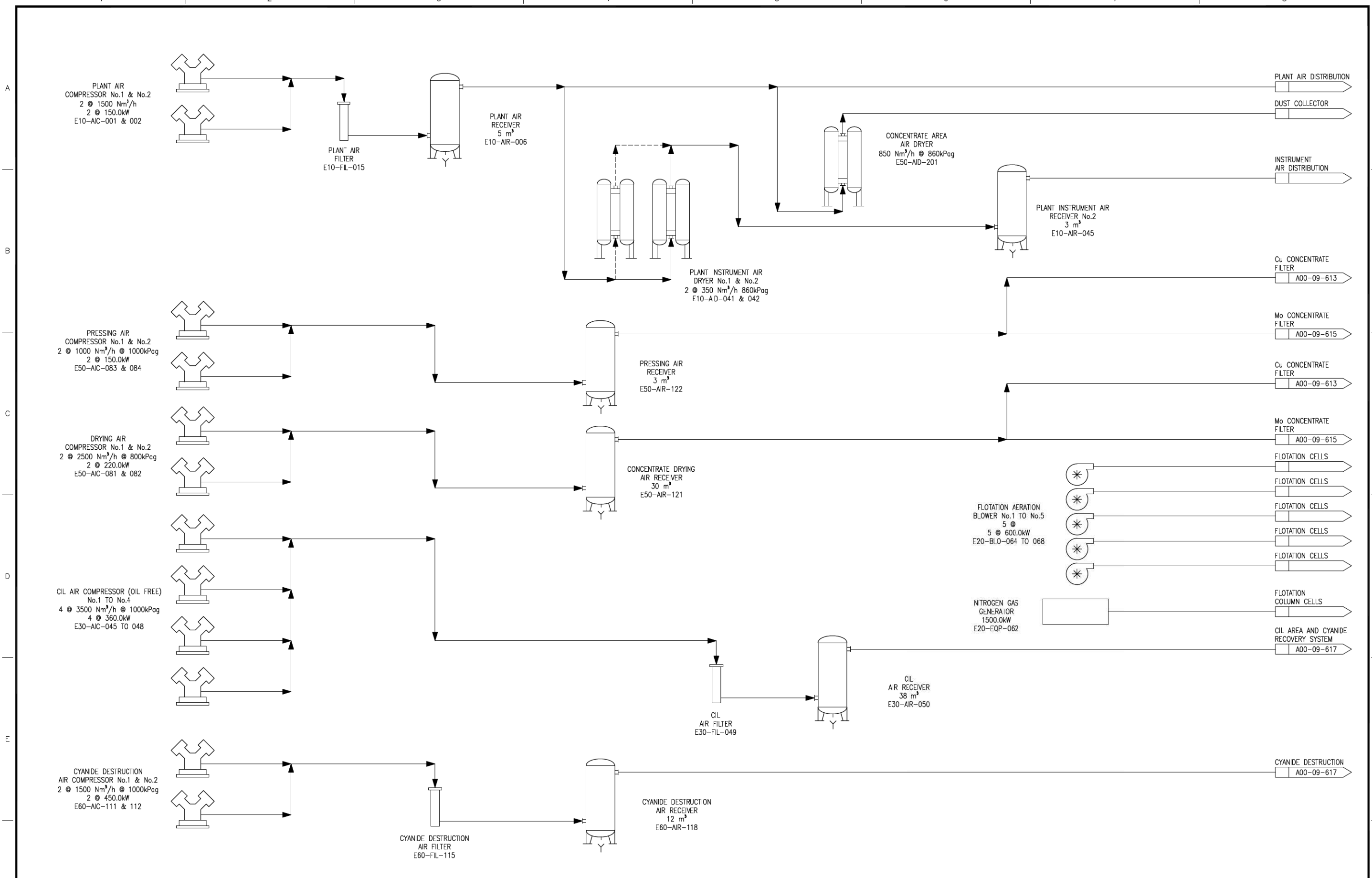
DWG. NO.	REFERENCE DRAWINGS
----------	--------------------

CLIENT	PROGRAM	PROCESS	ELECTR.	MECH.	STRUCT.	SERVICES	ARCH.	LAYOUT	REV. No.	ISSUE No.	DESCRIPTION	DATE	BY
									A	1	ISSUED FOR REPORT	12JUL12	AO

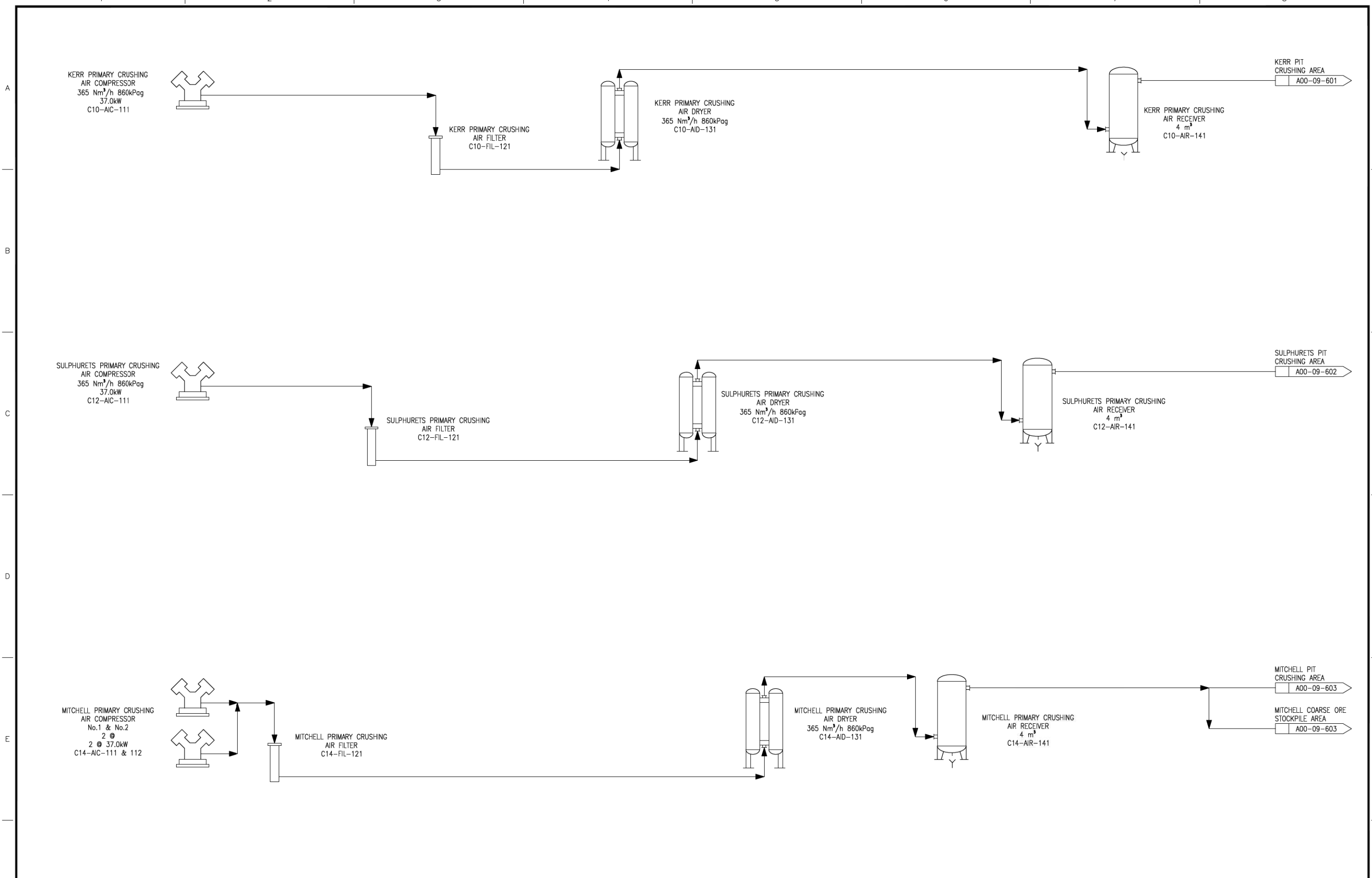
SECTION:	PROCESS
SCALE:	NONE
DATE:	
DESIGN BY:	JH 15MAR12
DRAWN BY:	AO 15MAR12
CHECK BY:	
APP. BY:	

CLIENT: **SEABRIDGE GOLD**
BRITISH COLUMBIA, CANADA

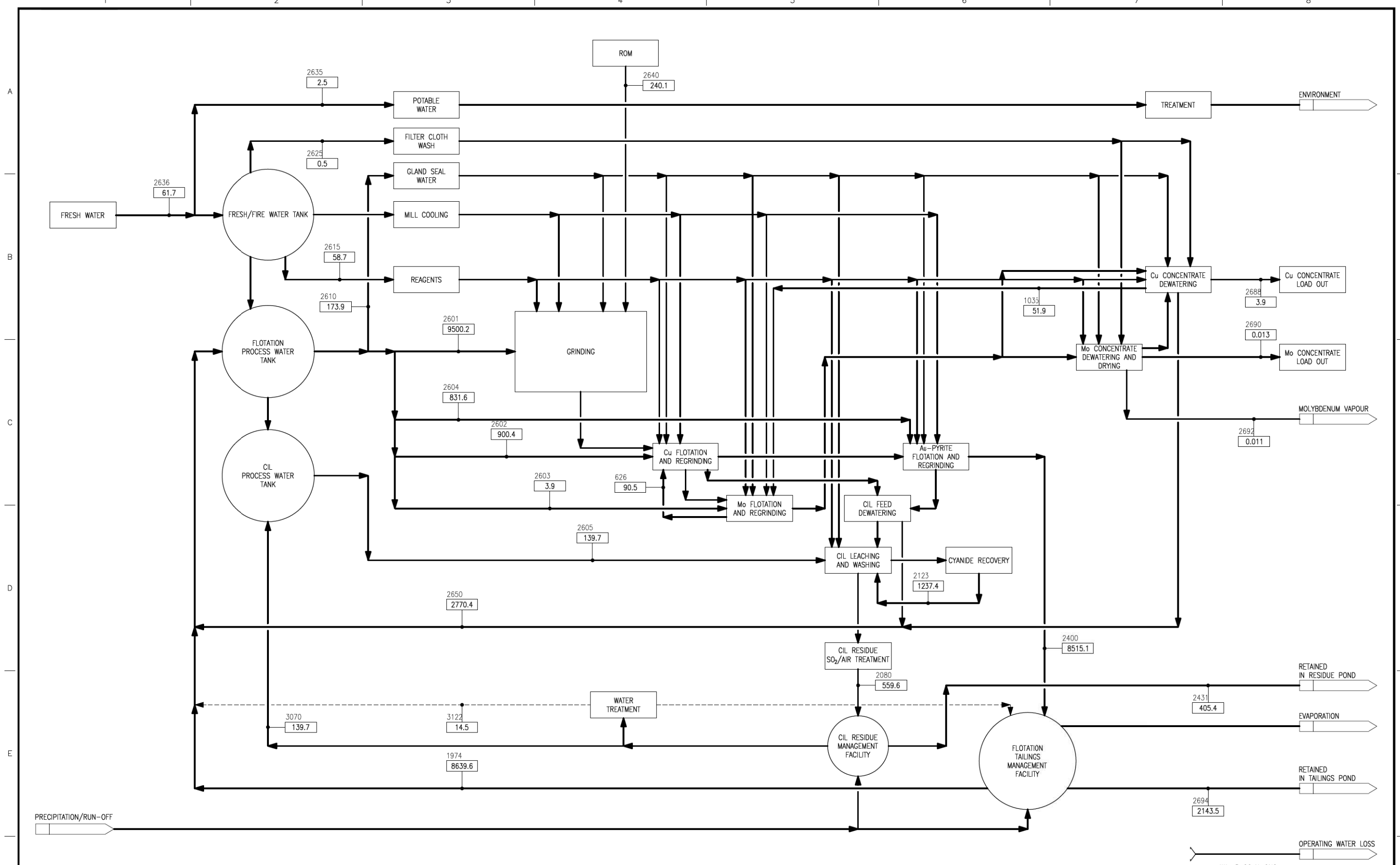
TITLE: KERR-SULPHURETS-MITCHELL PROJECT (PFS UPDATE - 2012)			
PROCESS FLOW DIAGRAM No.25			
PLANTSITE REAGENTS			
SHEET 3 OF 3			
FILENAME	PROJECT NUMBER	DRAWING NUMBER	REV.
A0009625.DWG	12528801.00	A00-09-625	A



THE INFORMATION CONTAINED ON THIS DRAWING HAS BEEN PREPARED SOLELY FOR THE OWNER FOR USE ON THIS PROJECT AND IS COPYRIGHTED. ANY UNAUTHORIZED USE OF THIS INFORMATION IS A BREACH OF COPYRIGHT AND WILL BE PURSUED AS SUCH. USE OF THE INFORMATION ON THIS DRAWING IN WHOLE OR IN PART OTHER THAN FOR THE INTENDED PURPOSE IS AT THE SOLE RISK OF THE USER.	DWG. NO.	REFERENCE DRAWINGS	<table border="1"> <tr> <th>CLIENT</th> <th>PROGRAM</th> <th>PROCESS</th> <th>ELECTR.</th> <th>INSTR.</th> <th>MECH.</th> <th>STRUCT.</th> <th>SERVICES</th> <th>ARCH.</th> <th>LAYOUT</th> <th>REV.</th> <th>ISSUE</th> </tr> <tr> <td></td> <td></td> <td></td> <td></td> <td></td> <td></td> <td></td> <td></td> <td></td> <td></td> <td>A</td> <td>1</td> </tr> </table>										CLIENT	PROGRAM	PROCESS	ELECTR.	INSTR.	MECH.	STRUCT.	SERVICES	ARCH.	LAYOUT	REV.	ISSUE											A	1	SECTION: PROCESS	CLIENT:	TITLE:
	CLIENT	PROGRAM	PROCESS	ELECTR.	INSTR.	MECH.	STRUCT.	SERVICES	ARCH.	LAYOUT	REV.	ISSUE																											
											A	1																											
												SCALE: NONE	DATE	SEABRIDGE GOLD	KERR-SULPHURETS-MITCHELL PROJECT (PFS UPDATE - 2012)																								
												DESIGN. BY: JH	15MAR12	BRITISH COLUMBIA, CANADA	PROCESS FLOW DIAGRAM No.26																								
												DRAWN BY: AC	15MAR12		PLANTSITE AIR SERVICES																								
												CHECK. BY:																											
												APP. BY:																											

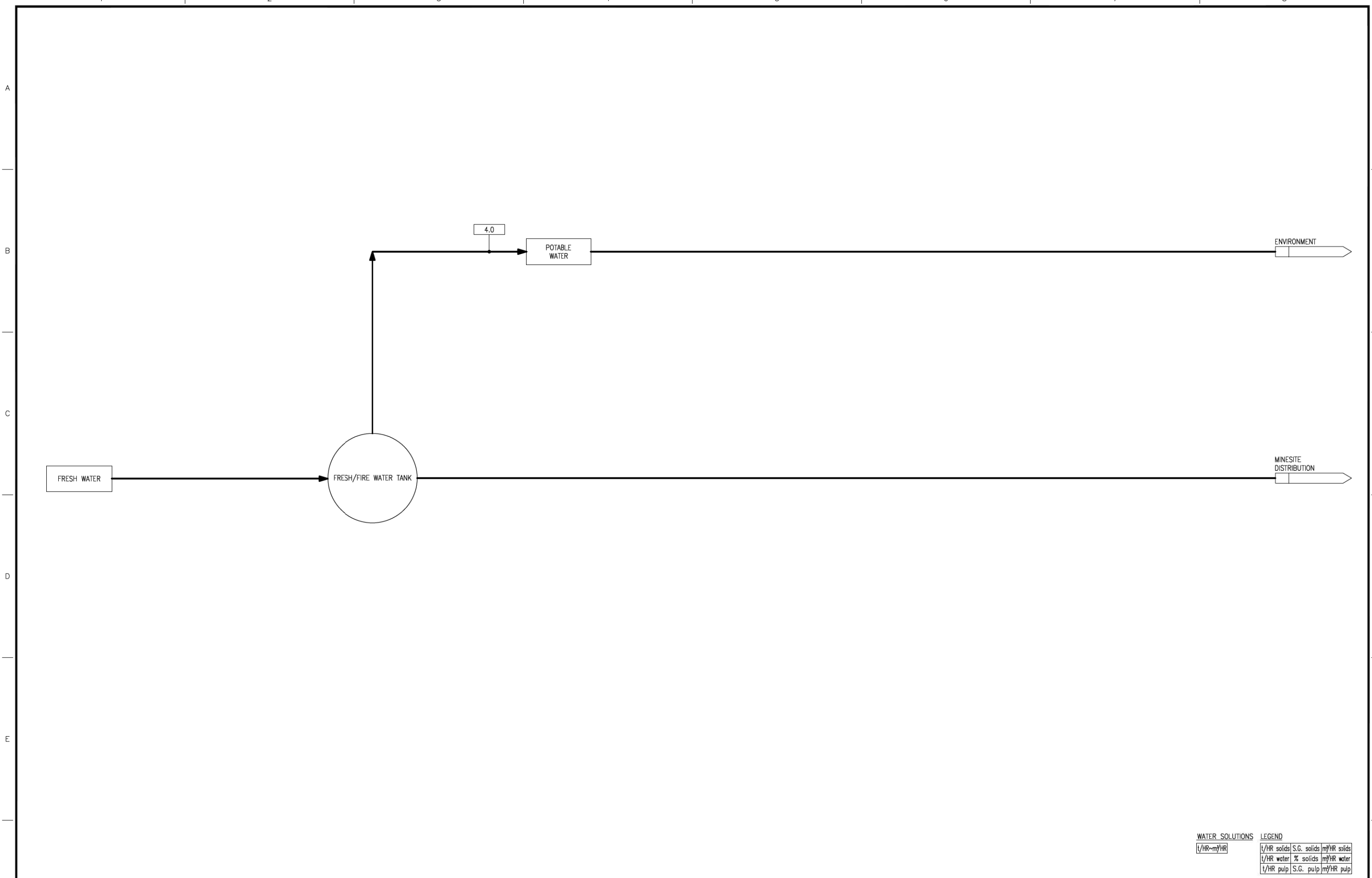


THE INFORMATION CONTAINED ON THIS DRAWING HAS BEEN PREPARED SOLELY FOR THE OWNER FOR USE ON THIS PROJECT AND IS COPYRIGHTED. ANY UNAUTHORIZED USE OF THIS INFORMATION IS A BREACH OF COPYRIGHT AND WILL BE PURSUED AS SUCH. USE OF THE INFORMATION ON THIS DRAWING IN WHOLE OR IN PART OTHER THAN FOR THE INTENDED PURPOSE IS AT THE SOLE RISK OF THE USER.	DWG. NO.	REFERENCE DRAWINGS	<table border="1"> <tr> <th>CLIENT</th> <th>PROGRAM</th> <th>PROCESS</th> <th>ELECTR.</th> <th>INSTR.</th> <th>PIPING</th> <th>MECH.</th> <th>STRUCT.</th> <th>SPRINGS</th> <th>ANCH.</th> <th>LAYOUT</th> <th>REV.</th> <th>ISSUE</th> <th>DESCRIPTION</th> <th>DATE</th> <th>BY</th> </tr> <tr> <td></td> <td></td> <td></td> <td></td> <td></td> <td></td> <td></td> <td></td> <td></td> <td></td> <td></td> <td>A</td> <td>1</td> <td>ISSUED FOR REPORT</td> <td>12JUL12</td> <td>AO</td> </tr> </table>										CLIENT	PROGRAM	PROCESS	ELECTR.	INSTR.	PIPING	MECH.	STRUCT.	SPRINGS	ANCH.	LAYOUT	REV.	ISSUE	DESCRIPTION	DATE	BY												A	1	ISSUED FOR REPORT	12JUL12	AO	SECTION: PROCESS SCALE: NONE DATE DESIGN. BY: JH 15MAR12 DRAWN BY: AC 15MAR12 CHECK. BY: APP. BY:	CLIENT: SEABRIDGE GOLD BRITISH COLUMBIA, CANADA 	TITLE KERR-SULPHURETS-MITCHELL PROJECT (PFS UPDATE - 2012) PROCESS FLOW DIAGRAM No.27 MINESITE AIR SERVICES
	CLIENT	PROGRAM	PROCESS	ELECTR.	INSTR.	PIPING	MECH.	STRUCT.	SPRINGS	ANCH.	LAYOUT	REV.	ISSUE	DESCRIPTION	DATE	BY																															
												A	1	ISSUED FOR REPORT	12JUL12	AO																															
				<table border="1"> <tr> <th>FILENAME</th> <th>PROJECT NUMBER</th> <th>DRAWING NUMBER</th> <th>REV.</th> </tr> <tr> <td>A0009627.DWG</td> <td>12528801.00</td> <td>A00-09-627</td> <td>A</td> </tr> </table>	FILENAME	PROJECT NUMBER	DRAWING NUMBER	REV.	A0009627.DWG	12528801.00	A00-09-627	A																																			
FILENAME	PROJECT NUMBER	DRAWING NUMBER	REV.																																												
A0009627.DWG	12528801.00	A00-09-627	A																																												
			U:\N-S\SEABRIDGE GOLD INC - 5286\12528801.00 - KSM PROJECT PFS UPDATE 2012\110-2D DWGS\PROCESS\FE\WORKING\H\PRJ\A0009627.DWG																																												
			12/07/11																																												



PROGRESS PRINT

<p>THE INFORMATION CONTAINED ON THIS DRAWING HAS BEEN PREPARED SOLELY FOR THE OWNER FOR USE ON THIS PROJECT AND IS COPYRIGHTED. ANY UNAUTHORIZED USE OF THIS INFORMATION IS A BREACH OF COPYRIGHT AND WILL BE PURSUED AS SUCH. USE OF THE INFORMATION ON THIS DRAWING IN WHOLE OR IN PART OTHER THAN FOR THE INTENDED PURPOSE IS AT THE SOLE RISK OF THE USER.</p>	DWG. NO.	REFERENCE DRAWINGS	<table border="1"> <tr> <th>CLIENT</th> <th>PROJ. MAN.</th> <th>DESIGN</th> <th>PROCESS</th> <th>ELECTR.</th> <th>INSTR.</th> <th>MECH.</th> <th>STRUCT.</th> <th>SERVICES</th> <th>ARCH.</th> <th>LAYOUT</th> <th>REV. No.</th> <th>ISSUE No.</th> <th>DATE</th> <th>BY</th> </tr> <tr> <td></td> <td></td> <td></td> <td></td> <td></td> <td></td> <td></td> <td></td> <td></td> <td></td> <td></td> <td>A</td> <td>1</td> <td>12JUL12</td> <td>AO</td> </tr> </table>	CLIENT	PROJ. MAN.	DESIGN	PROCESS	ELECTR.	INSTR.	MECH.	STRUCT.	SERVICES	ARCH.	LAYOUT	REV. No.	ISSUE No.	DATE	BY												A	1	12JUL12	AO	<p>SECTION: PROCESS</p> <p>SCALE: NONE DATE</p> <p>DESIGN BY: JH 15MAR12</p> <p>DRAWN BY: AO 15MAR12</p> <p>CHECK BY:</p> <p>APP. BY:</p>	<p>CLIENT:</p> <p>SEABRIDGE GOLD</p> <p>BRITISH COLUMBIA, CANADA</p> <p>TETRA TECH WARDROP</p>	<p>TITLE</p> <p>KERR-SULPHURETS-MITCHELL PROJECT (PFS UPDATE - 2012)</p> <p>PROCESS FLOW DIAGRAM No.28</p> <p>PLANTSITE WATER BALANCE</p>
	CLIENT	PROJ. MAN.	DESIGN	PROCESS	ELECTR.	INSTR.	MECH.	STRUCT.	SERVICES	ARCH.	LAYOUT	REV. No.	ISSUE No.	DATE	BY																					
												A	1	12JUL12	AO																					
				<p>DESCRIPTION</p> <p>ISSUED FOR REPORT</p>	<p>DATE</p> <p>12JUL12</p>	<p>FILENAME</p> <p>A0009628.DWG</p>	<p>PROJECT NUMBER</p> <p>12528801.00</p>	<p>DRAWING NUMBER</p> <p>A00-09-628</p>	<p>REV.</p> <p>A</p>																											



WATER SOLUTIONS		LEGEND	
t/HR	solids	S.G.	solids
t/HR	water	%	solids
t/HR	pulp	S.G.	pulp

THE INFORMATION CONTAINED ON THIS DRAWING HAS BEEN PREPARED SOLELY FOR THE OWNER FOR USE ON THIS PROJECT AND IS COPYRIGHTED. ANY UNAUTHORIZED USE OF THIS INFORMATION IS A BREACH OF COPYRIGHT AND WILL BE PURSUED AS SUCH. USE OF THE INFORMATION ON THIS DRAWING IN WHOLE OR IN PART OTHER THAN FOR THE INTENDED PURPOSE IS AT THE SOLE RISK OF THE USER.

DWG. NO.	REFERENCE DRAWINGS
----------	--------------------

CLIENT	PROGRAM	PROCESS	ELECTR.	INSTR.	MECH.	STRUCT.	SERVICES	ANCH.	LAYOUT	REV. No.	ISSUE No.	DESCRIPTION	DATE	BY
										A	1	ISSUED FOR REPORT	12JUL12	AO

SECTION:	PROCESS
SCALE:	NONE
DESIGN. BY:	JH
DATE:	15MAR12
DRAWN BY:	AO
DATE:	15MAR12
CHECK. BY:	
APP. BY:	

CLIENT:

SEABRIDGE GOLD

BRITISH COLUMBIA, CANADA

TITLE			
KERR-SULPHURETS-MITCHELL PROJECT (PFS UPDATE - 2012)			
PROCESS FLOW DIAGRAM No.29 MINESITE WATER BALANCE			
FILENAME	PROJECT NUMBER	DRAWING NUMBER	REV.
A0009629.DWG	12528801.00	A00-09-629	A